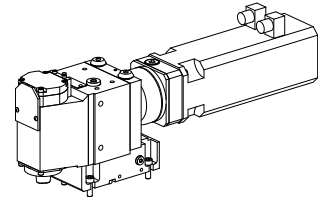


## Polygon turning unit MS52 5:1 INDEX CAPT

### Technical data

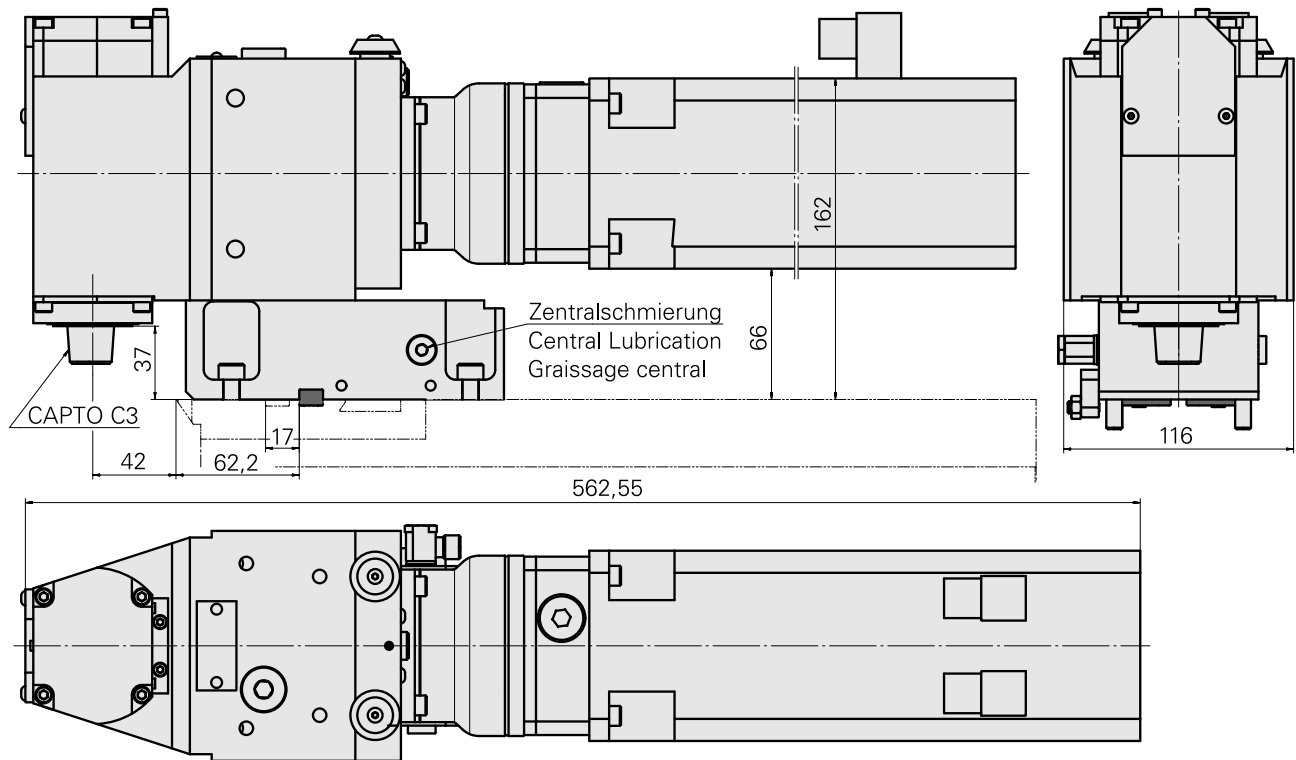
<b>Slide system MS</b>	MS52
<b>Drive</b>	Direct drive
<b>Fixation MS</b>	Splined key/pin
<b>Speed ratio</b>	5:1
<b>Mounting</b>	INDEX CAPTO C3
<b>X [mm]</b>	42 (1.65")
<b>Y [mm]</b>	–
<b>Z [mm]</b>	37 (1.46)
<b>INDEX TRAUB products</b>	MS52C2



### Note

Can only be used on the cross slide! The unit must be connected to a central lubrication system! The machine must have a preparation for polygon turning! The unit may only be used in combination with any of the specified motors and the corresponding UNIT!

Motor (AC), 5 Nm – 10177847 (Siemens 1FT6044-4AK71-4EG1) included. UNIT machine-specific



---

## Documents

No downloads available for this product

## Accessories

Required for operation

### [Assembly parts](#)

Product ID : 12103301

Previous product ID :

---

### [Cable im Arbeitsraum](#)

Product ID : 10053852

Previous product ID : GM5702.9056

---

## Optional accessories

### O-Rings

#### [Gasket ring](#)

Product ID : 10341840

Previous product ID : 479102.1043

manufacturer product  
line  
Trelleborg

TSS material no.

Cord size  
3.53 Millimeter

manufacturer product  
line  
O-ring