

WFB 32-20 Shrink-fit mounting D12

Technical data

TH accessories category

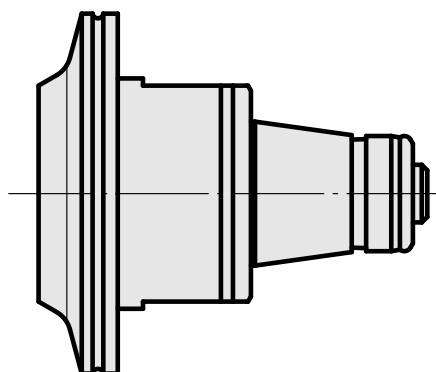
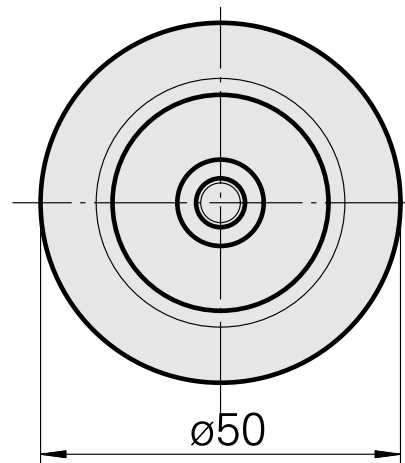
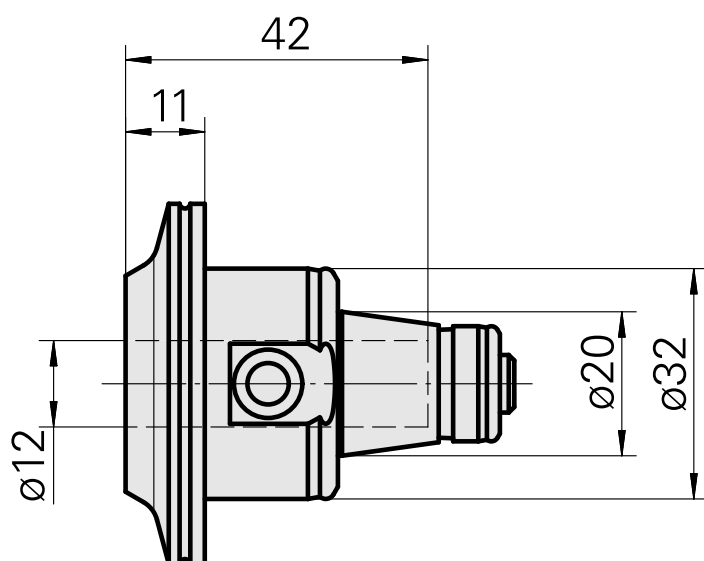
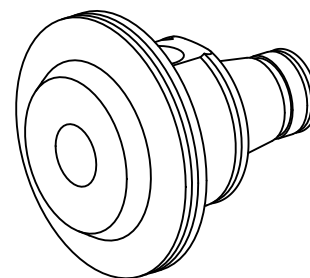
WFB 32-20

Mounting

Shrink-fit mounting D12

Quick change inserts

shrink-fit mounting



10104661
836265

INDEX

Documents

No downloads available for this product