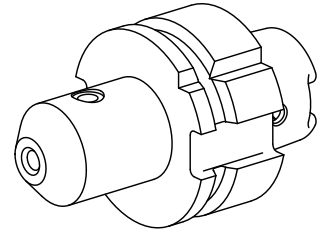

Drilling tool holder HSK 50 B50/D50/C40

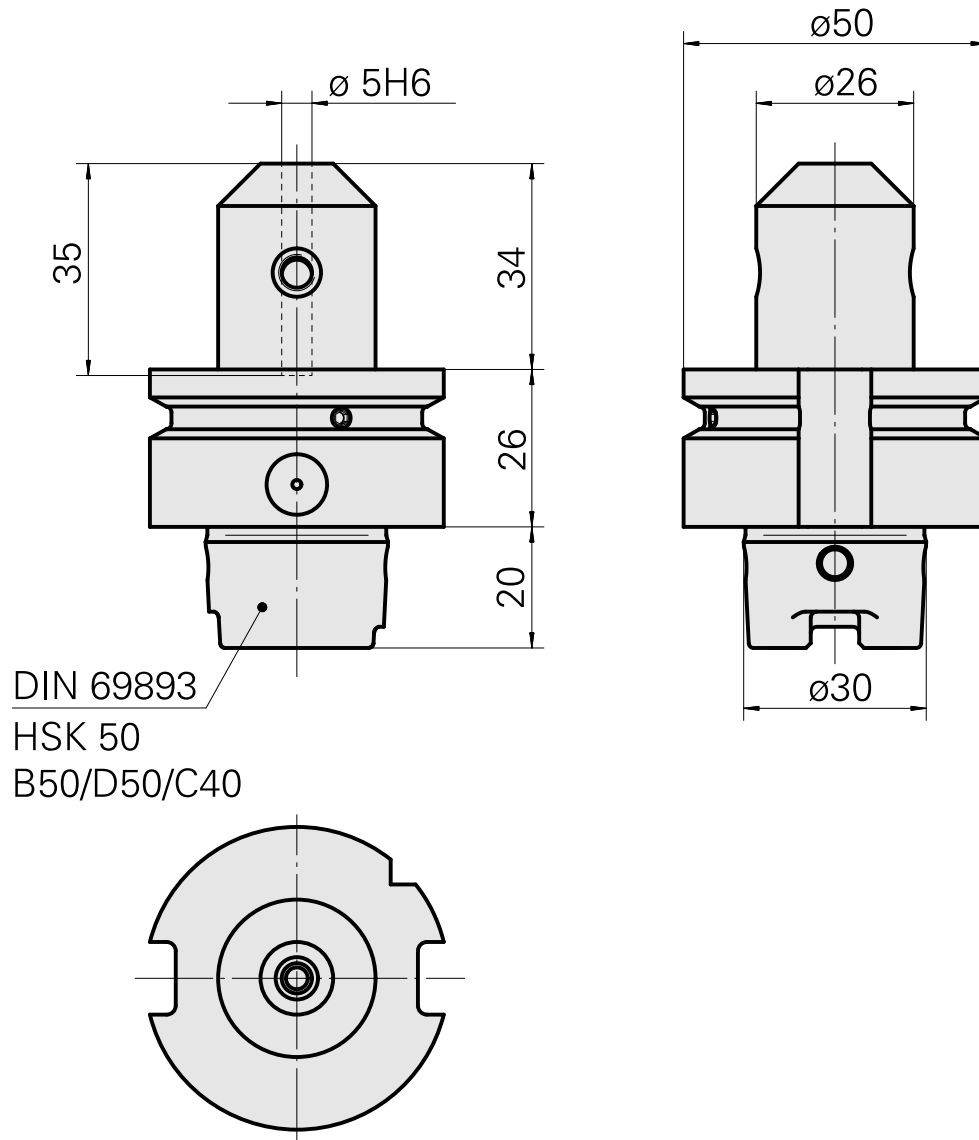
Technical data

| | |
|-----------------------------|----------------------------------|
| Shank HSK | HSK 50 |
| Form HSK | B50/D50/C40 |
| Mounting | DIN 1835 B/E D5 |
| Cooling | internal |
| Pressure | 40 bar |
| X [mm] | 60 (2.36") |
| INDEX TRAUB products | G300 • V100 • V200 • G200 • V300 |



Note

Form B - cooling lubricant is supplied via the collar!



Documents

No downloads available for this product