

WFB 32-20 for DC.. 11T3.., right, without gripper groove

Technical data

TH accessories category

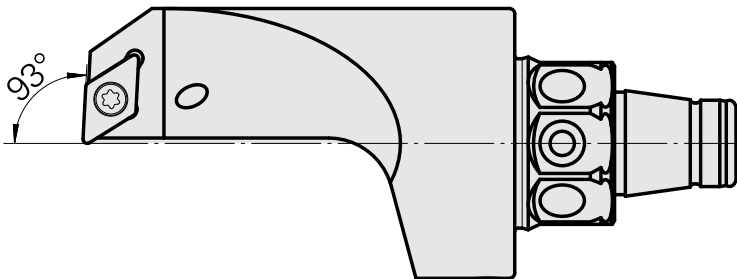
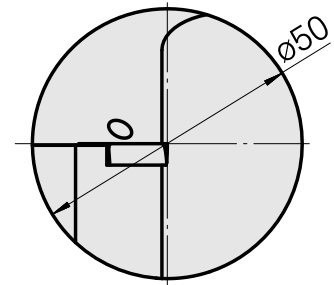
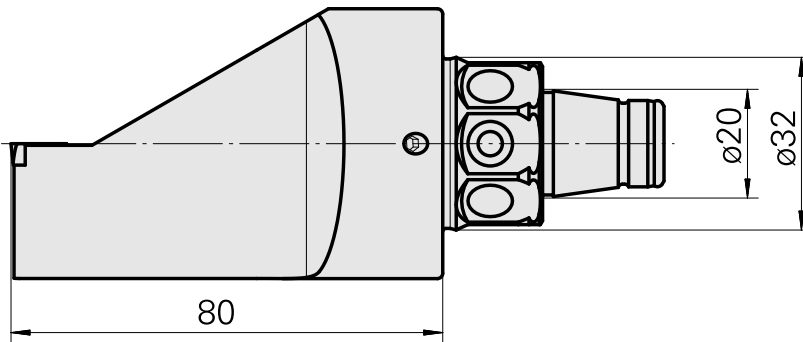
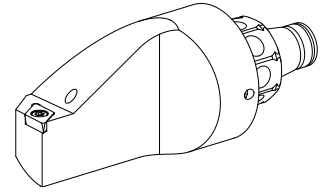
WFB 32-20

Mounting

for DC.. 11T3..

Quick change inserts

Turning tool holder



Documents

No downloads available for this product