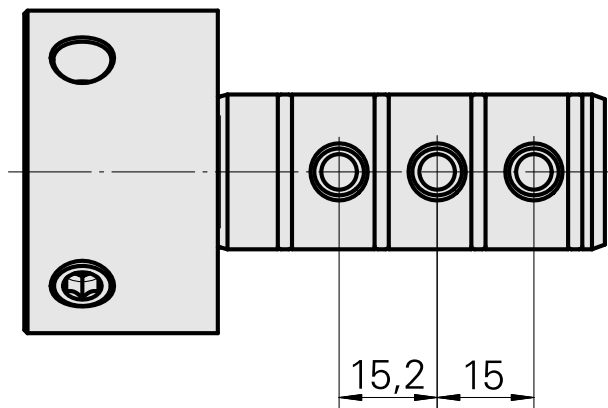
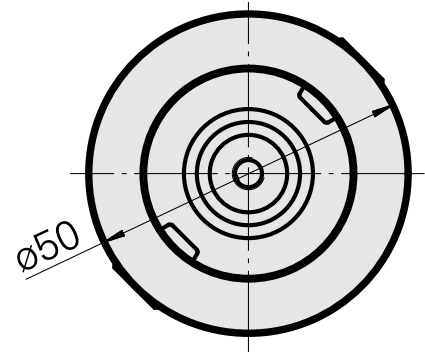
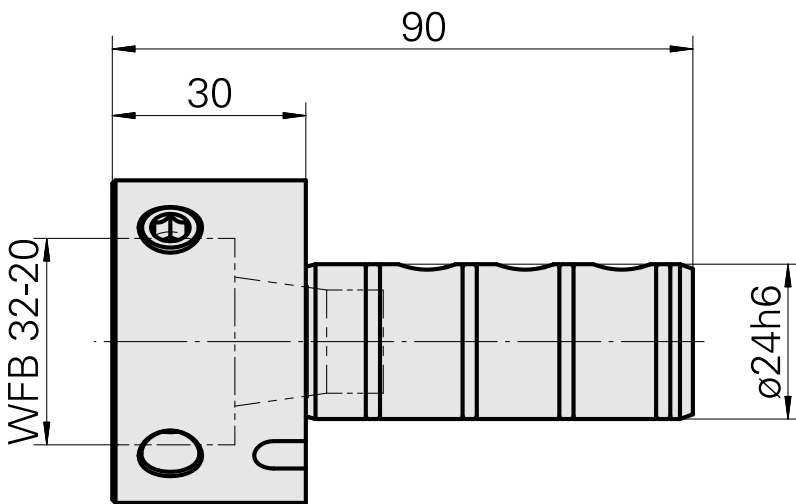
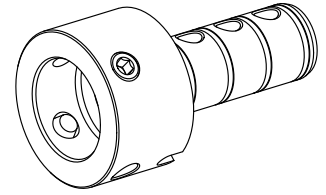


Mount WFB 32-20

Technical data

| | |
|----------------------|--|
| Drive | not live |
| Cooling | internal |
| Mounting | WFB 32-20 |
| Pressure | 80 bar |
| X [mm] | - |
| Y [mm] | - |
| Z [mm] | - |
| INDEX TRAUB products | ABC65 • TNK42/65 • TNL32-11 • TNL32 |



Documents

Product notes

[PT \(pdf\)](#)

[DE \(pdf\)](#)

[EN \(pdf\)](#)

[FR \(pdf\)](#)

Accessories

Optional accessories

Other accessories

[Shrink WFB 32-20 adapter](#)

Product ID : 10726868

Previous product ID : WZ9990.3206F

[Adapter WFB 32-20 Weldon](#)

Product ID : 10305353

Previous product ID : WZ9990.3207F

[Adapter WFB 32-20 with collet mounting](#)

Product ID : 10298507

Previous product ID : WZ9990.3208F

[adapter WFB 32-20 mill arbor mounting](#)

Product ID : 10640736

Previous product ID : WZ9990.3209F

[WFB hydr. expansion mounting](#)

Product ID : 10946690

Previous product ID : WZ9990.3210F

10049618
W9990578

INDEX

Grub screw M10x1x11

Product ID : 10165359

Previous product ID : 326057
