

WFB 32-20 D6

Technical data

TH accessories category

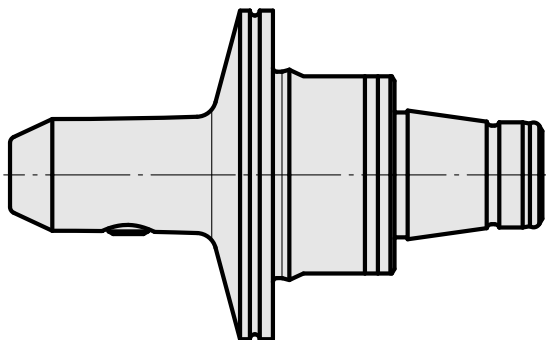
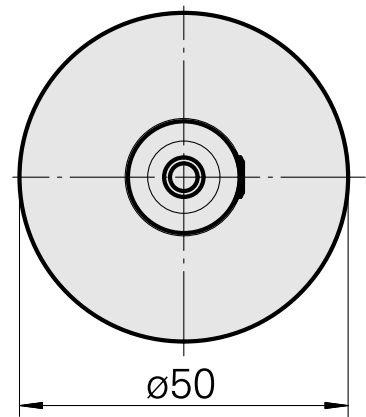
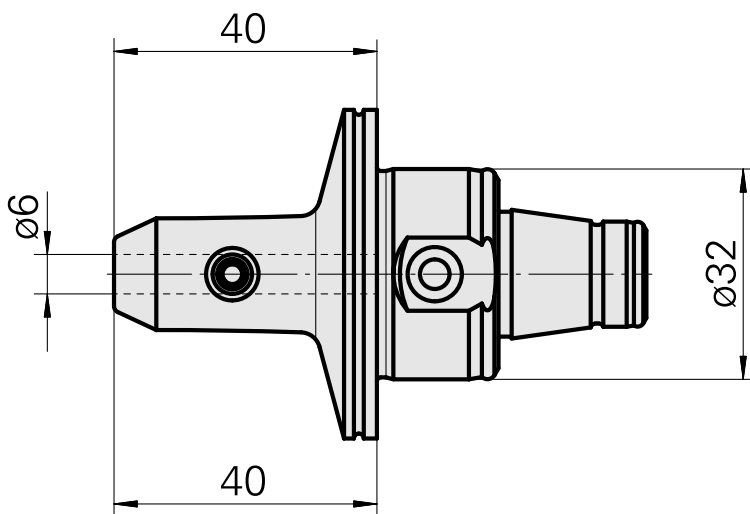
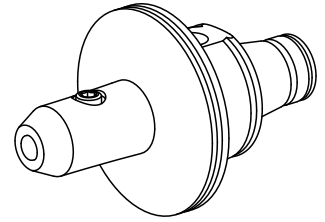
WFB 32-20

Mounting

D6

Quick change inserts

Weldon mounting



10032534
W9990794

INDEX

Documents

No downloads available for this product