

Embossing roll holder VDI 20

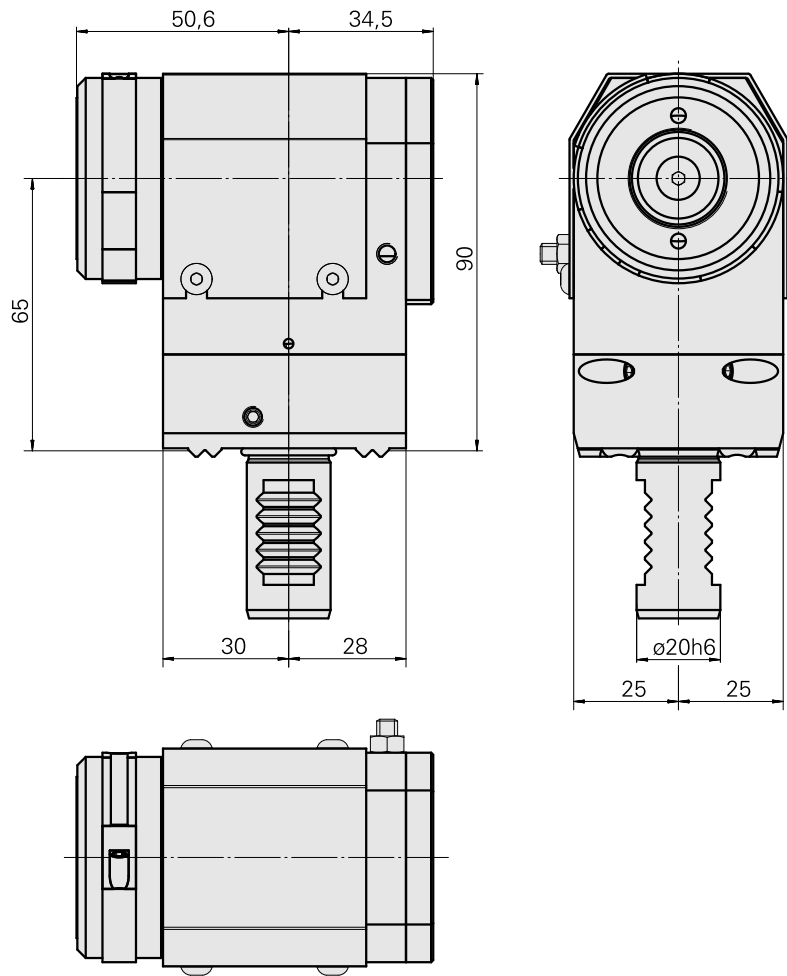
Technical data

Shank VDI	VDI 20
Drive	not live
Fixation VDI	W serration
Cooling	internal
Pressure	40 bar
reversible 180°	yes
X [mm]	65 (2.56")
Y [mm]	–
Z [mm]	50.5 (1.99)
INDEX TRAUB products	C100



Note

Cooling lubricant supply unit required!
Cooling lubricant supply unit required!



Documents

No downloads available for this product

Accessories

Optional accessories

Tool holder accessories

[Embossing roller, D50 mm \(1.96"\)](#)

Product ID : 10609077

Previous product ID : W63380.0030

TH accessories
category
Embossing roller

[Embossing roller, D60 mm \(2.36"\)](#)

Product ID : 10446615

Previous product ID : W63380.0060

TH accessories
category
Embossing roller

Other accessories

[CLOSING PLUG D 10,5 x 7,5](#)

Product ID : 10908863

Previous product ID : W67530.1212
