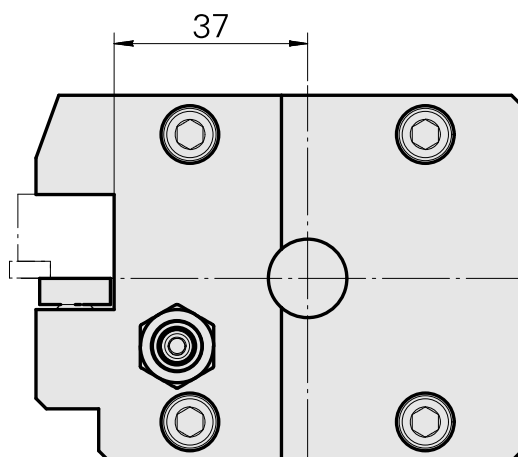
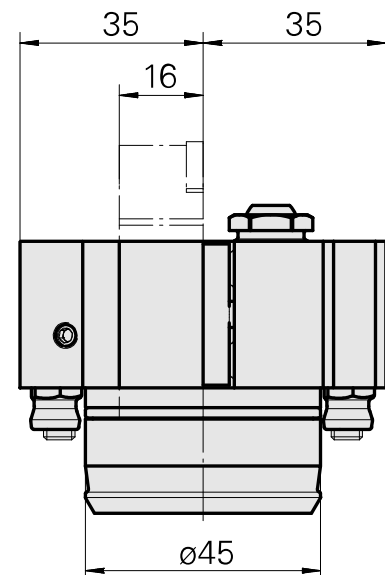
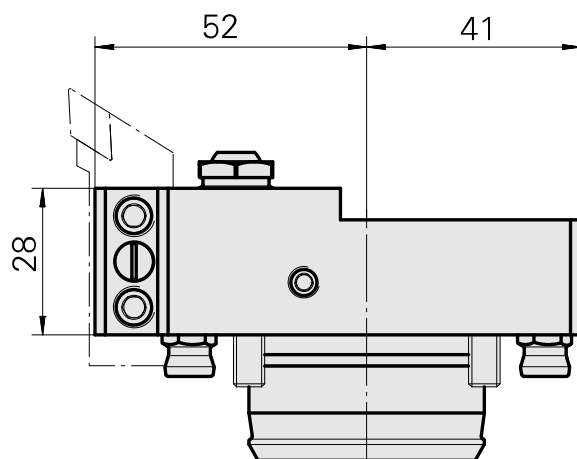


## Turning tool holder

### Technical data

<b>Shank KPS</b>	KPS 45
<b>Drive</b>	not live
<b>Cooling</b>	external and internal
<b>Mounting</b>	Square 16x16
<b>Pressure</b>	80 bar
<b>X [mm]</b>	28 (1.10")
<b>Y [mm]</b>	-
<b>Z [mm]</b>	52 (2.05)
<b>INDEX TRAUB products</b>	TNL20 • TNK40.2-8B • TNL32-11 compact



## Documents

No downloads available for this product

## Accessories

Optional accessories

### Other accessories

#### [Nozzle Kugel D10 - Bohrung D2 40°](#)

Product ID : 10072335

Previous product ID : 910693

---

#### [HOLLOW SCREW M14x1 M14x1](#)

Product ID : 10105238

Previous product ID : W67530.0818

---

#### [BUSHING 10 D x 6 D x 12,5](#)

Product ID : 10670360

Previous product ID : W67530.0824

---

#### [Coolant Nozzle](#)

Product ID : 11031912

Previous product ID : W67500.3208

---