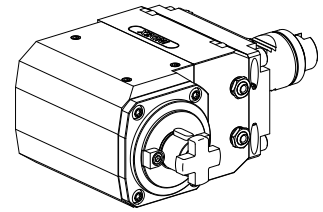


## Milling unit VDI 40 2:1 Milling shaft D2

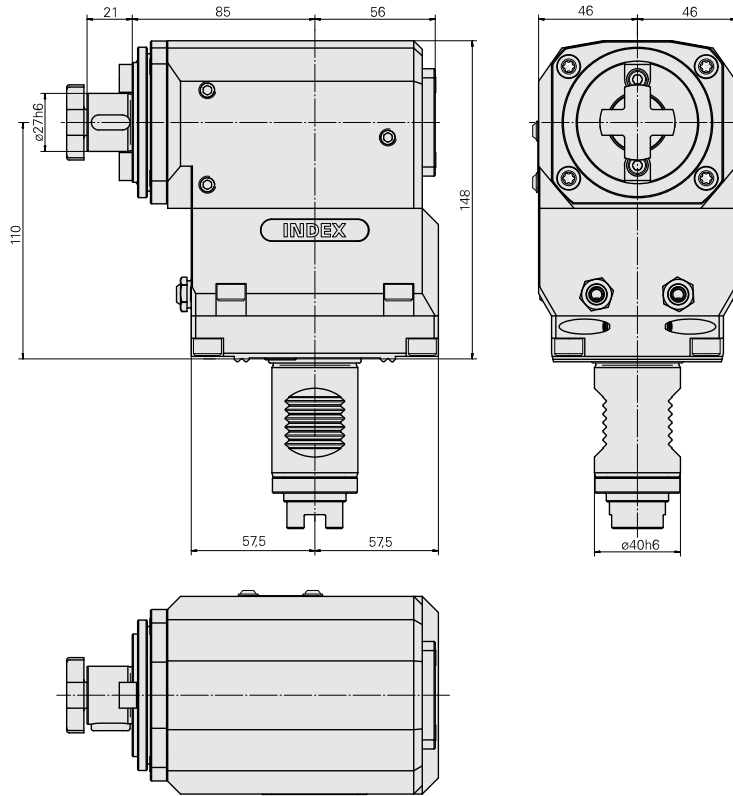
### Technical data

<b>Shank VDI</b>	VDI 40
<b>Drive</b>	Dog clutch
<b>Fixation VDI</b>	W serration
<b>Speed ratio</b>	2:1
<b>Cooling</b>	external
<b>Pressure</b>	80 bar
<b>Mounting</b>	Milling shaft D27
<b>reversible 180°</b>	yes
<b>Direction</b>	same as drive direction
<b>X [mm]</b>	110 (4.33")
<b>Y [mm]</b>	–
<b>Z [mm]</b>	85 (3.35)
<b>INDEX TRAUB products</b>	G500 • B400 • B500 • G300.2 • G320.2 • G400.2 • G420 • G520 • TNA400.2 • TNA500.2 • B400.3 • TNA400.3 • B500.3 • TNA500.3



### Note

Tool carrier at top: Can only be used in the direction of the main spindle



---

## Documents

No downloads available for this product

## Accessories

Required for operation

### [Screw](#)

Product ID : 10085152

Previous product ID : 250122.1235

TH accessories category Cutter tightening screw	Mounting M12
---	-----------------

### [mill arbor wrench](#)

Product ID : 10860744

Previous product ID : 203020.1270

TH accessories category Tool	Mounting Milling shaft D27	Tools for Collet chucks Mill arbor wrench
------------------------------------	-------------------------------	--

## Optional accessories

### Tool holder accessories

### [Coolant tube, L=100 mm \(3.93"\)](#)

Product ID : 10346684

Previous product ID : W9990559

TH accessories category Cooling lubricant tube	Mounting M6
--	----------------

### Other accessories

### [Ring](#)

Product ID : 10398855

Previous product ID : 251390.----

---

[Ring](#)

Product ID : 10169490

Previous product ID : 251391.-----

---

[HOLLOW SCREW M14x1 M14x1](#)

Product ID : 10105238

Previous product ID : W67530.0818

---

[BUSHING 10 D x 6 D x 12,5](#)

Product ID : 10670360

Previous product ID : W67530.0824

---

[Coolant Nozzle](#)

Product ID : 11031912

Previous product ID : W67500.3208

---