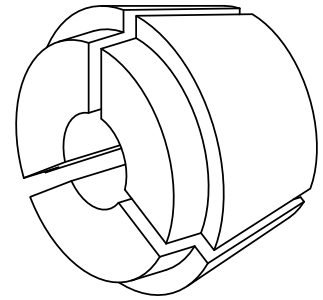


## segment pliers

### Technical data

|                              |                   |
|------------------------------|-------------------|
| <b>Clamping device size</b>  | SZ42              |
| <b>Clamping type</b>         | smooth            |
| <b>Nominal diameter (mm)</b> | 17.15 Millimeter  |
| <b>Clamping method</b>       | External clamping |



No 3-side view is currently available for this product

## **Documents**

No downloads available for this product