

## INDEX CAPTO C6 ER25

### Technical data

TH accessories category

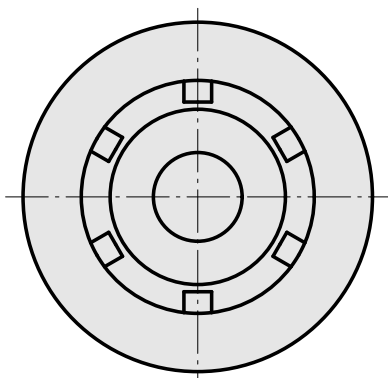
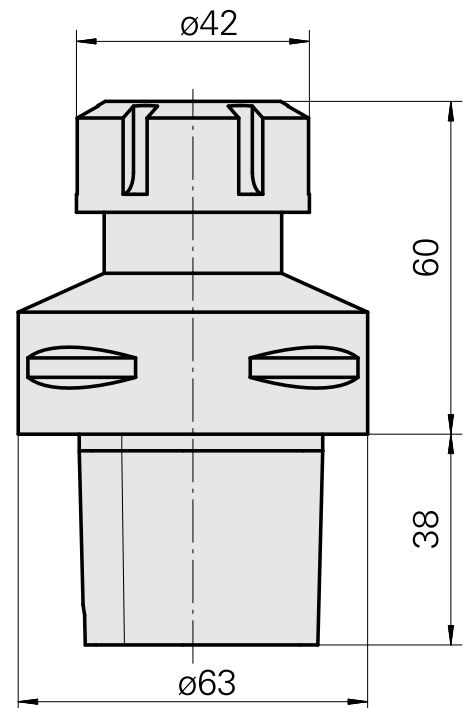
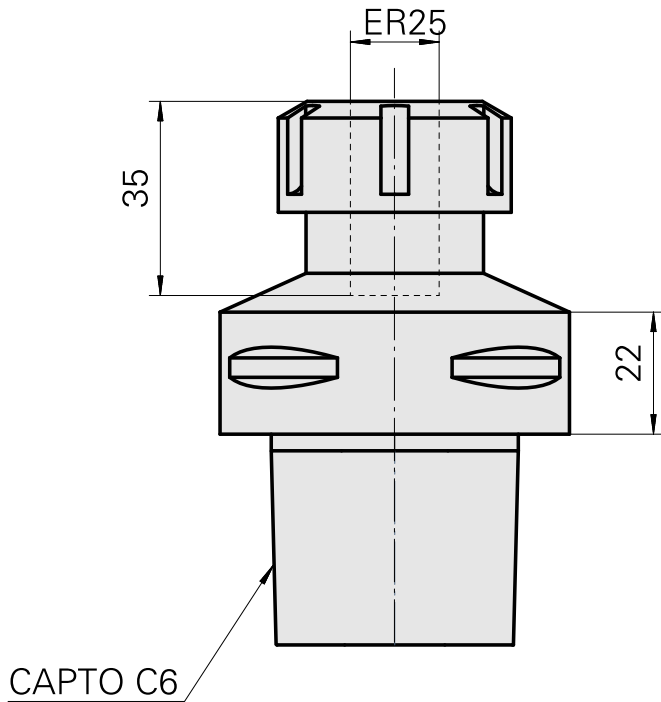
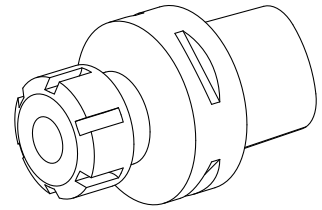
INDEX CAPTO C6

Mounting

ER25

Quick change inserts

collet mounting



## Documents

No downloads available for this product

## Accessories

Required for operation

### [Coolant adapter kit](#)

Product ID : 10865732

Previous product ID : W00019.0109

TH accessories  
category  
Cooling lubricant  
transfer set

Mounting  
INDEX CAPTO C6

### [Spanner](#)

Product ID : 10802433

Previous product ID : 490219.0251

TH accessories  
category  
Tool

Mounting  
ER25

Collet type  
ER 25

Clamping nut type  
Female thread

Tools for Collet chucks  
Clamping nut wrench

### [Socket wrench](#)

Product ID : 12144844

Previous product ID :

TH accessories  
category  
Tool for KSS adapter

Mounting  
INDEX CAPTO C6

Optional accessories

**Tool holder accessories**

### [Clamping nut](#)

Product ID : 10193990

Previous product ID : 901939.0251

TH accessories  
category  
Clamping nut

Mounting  
ER25

Collet type  
ER 25

Clamping nut type  
Female thread

---

### Other accessories

### [Clamping collet](#)

Product ID : 10206464

Previous product ID : 901930.3---

---

### [Clamping collet, sealed](#)

Product ID : 10698406

Previous product ID : W999085-

---

### [tapping tool collet ET-1-25](#)

Product ID : 10191234

Previous product ID : 3224--

---

### [tapping tool collet](#)

Product ID : 10256515

Previous product ID : WZ9990.9507F

---

### [Collet chuck](#)

Product ID : 10029756

Previous product ID : W999067-

---