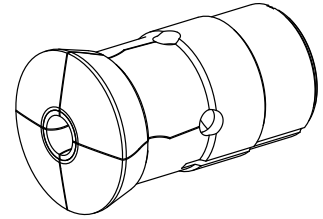


## Guide bush T229 Ø=19,00

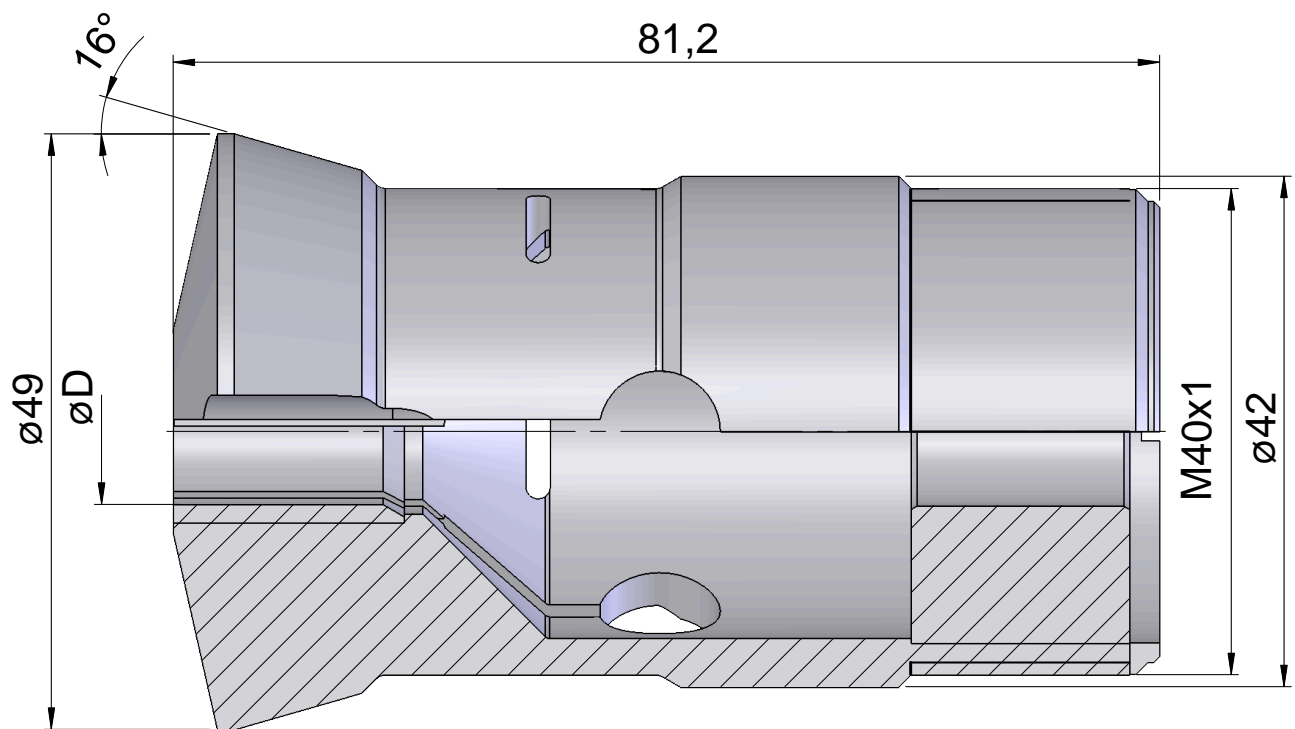
### Technical data

Clamping device size manufacturer product line	T229 deadlength
Clamping type	with carbide insert
Nominal diameter (mm)	19 Millimeter
Clamping method	External clamping
Collet design	programmable (Axfix)
Collet version manufacturer product line	S-slot Schlenker



### Note

with bushing



## **Documents**

No downloads available for this product