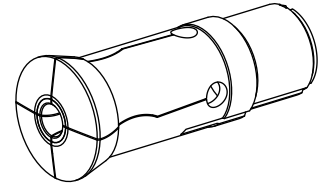


Guide bush T223 Ø=12,00

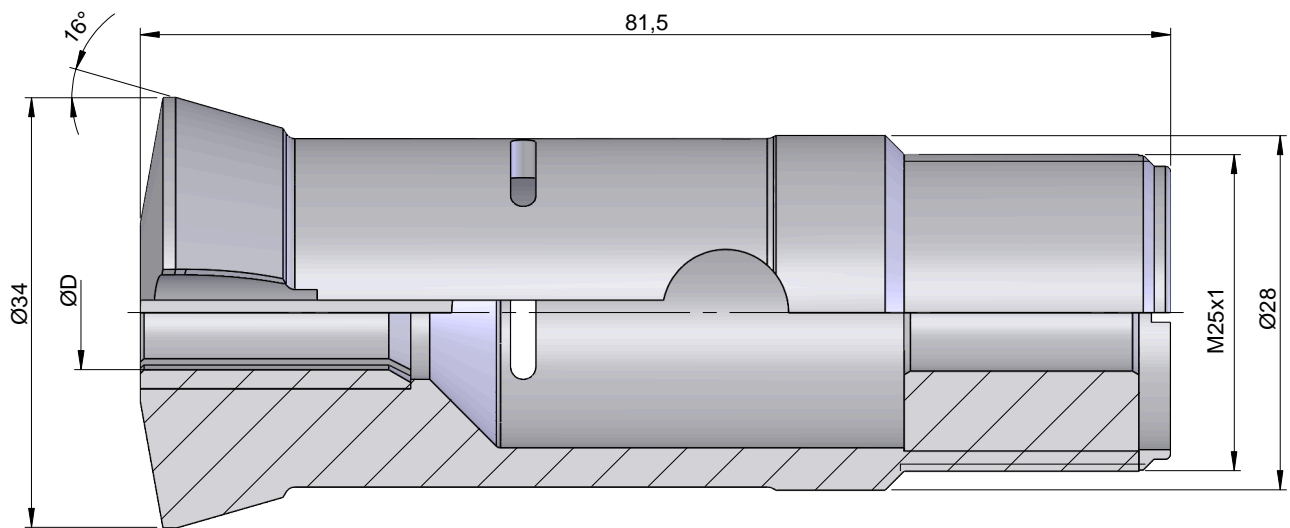
Technical data

| | |
|--------------------------------|----------------------|
| Clamping device size | T223 deadlength |
| Ext. manufacturer product line | |
| Clamping type | with carbide insert |
| Nominal diameter (mm) | 12 Millimeter |
| Clamping method | External clamping |
| Collet design | programmable (Axfix) |
| Collet version | S-slot |
| Ext. manufacturer product line | Schlenker |



Note

with bushing



Documents

No downloads available for this product