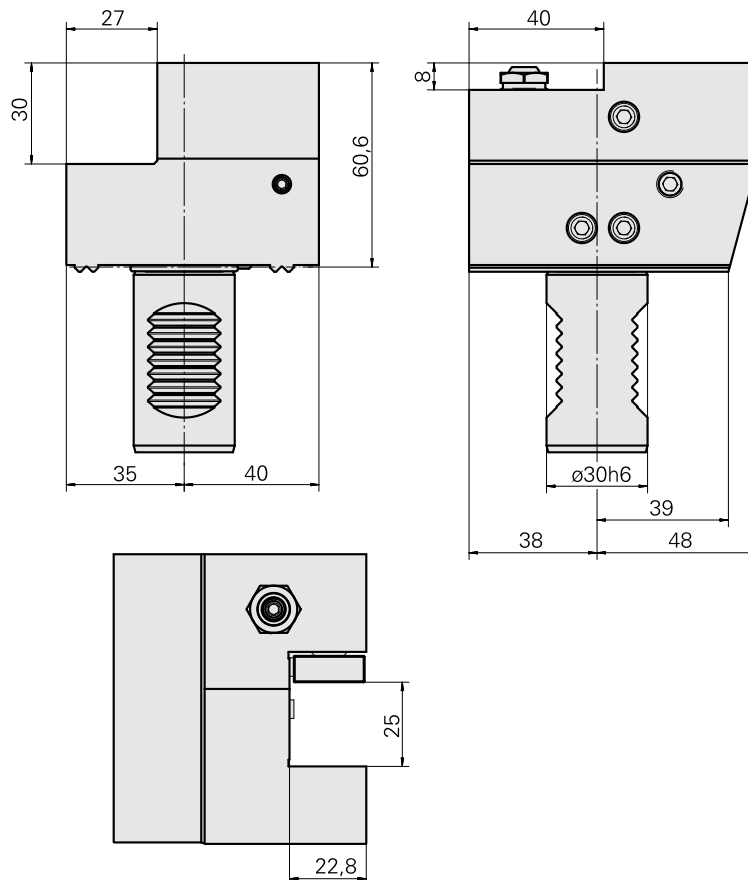
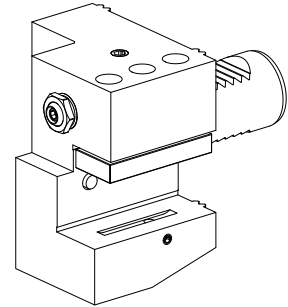


Turning tool holder VDI 30 square 25x25, Form C1/C4

Technical data

Shank VDI	VDI 30
Drive	not live
Fixation VDI	W serration
Cooling	external and internal
Pressure	80 bar
Mounting	Square 25x25
reversible 180°	yes
X [mm]	60.6 (2.39")
Y [mm]	–
Z [mm]	40 (1.57)
INDEX TRAUB products	G160 • C200 • G220 • G250 • R300 • TNX65/42 • B400 • TNA400.2 • G300.2 • G320.2 • G220.3 • TNX220.3 • TNX200.3 • G200.3 • G320.3 compact • B400.3 • TNA400.3



Documents

No downloads available for this product

Accessories

Optional accessories

Other accessories

[Blanking plug MIT O-RING 479105.1200](#)

Product ID : 10988240

Previous product ID : W68540.2014

[Coolant Nozzle](#)

Product ID : 11031912

Previous product ID : W67500.3208

[HOLLOW SCREW M14x1 M14x1](#)

Product ID : 10105238

Previous product ID : W67530.0818

[BUSHING 10 D x 6 D x 12,5](#)

Product ID : 10670360

Previous product ID : W67530.0824

[Sealing kit](#)

Product ID : 12181693

Previous product ID :
