

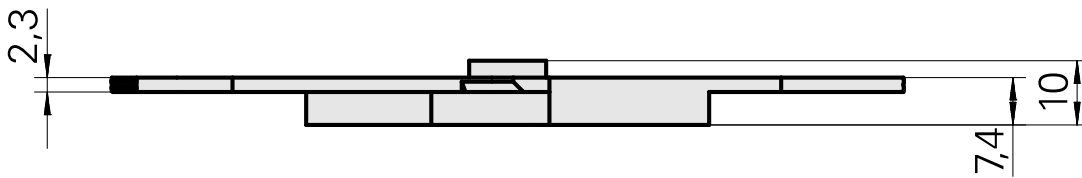
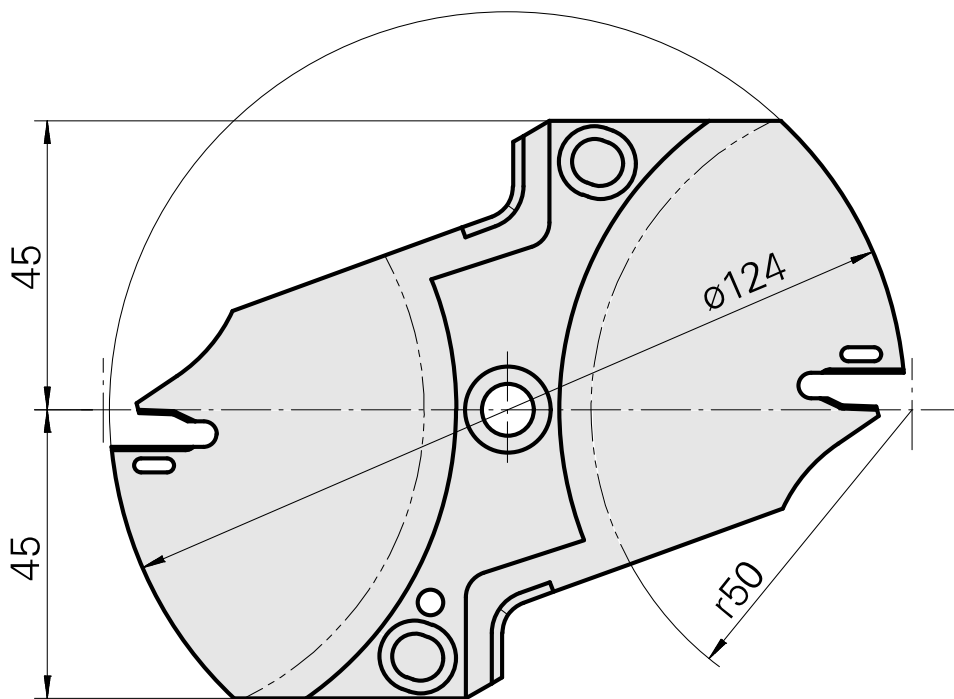
Technical data

TH accessories category

Cutting tools

Mounting

Löcher System



Documents

No downloads available for this product

Accessories

Optional accessories

Tool holder accessories

[Assembly device](#)

Product ID : 12038458

Previous product ID :

TH accessories
category
Cutting tools

Mounting
Löcher System

[Housing](#)

Product ID : 12035619

Previous product ID :

TH accessories
category
Cutting tools

Mounting
Löcher System

[Housing](#)

Product ID : 12035620

Previous product ID :

TH accessories
category
Cutting tools

Mounting
Löcher System