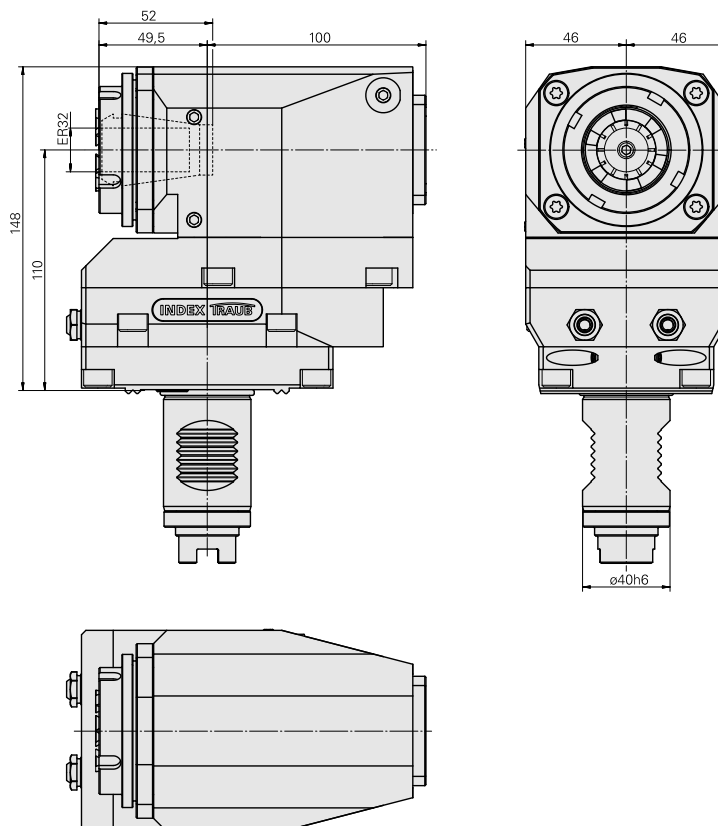
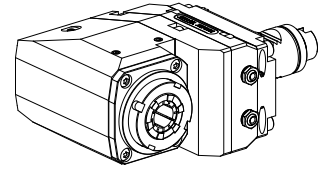


## Milling unit VDI 40 2:1 ER32

### Technical data

Shank VDI	VDI 40
Drive	Dog clutch
Fixation VDI	W serration
Speed ratio	2:1
Cooling	external, internal optional
Pressure	80 bar
Mounting	ER32
reversible 180°	yes
Direction	opposite to drive direction
X [mm]	110 (4.33")
Y [mm]	–
Z [mm]	49.5 (1.95)
INDEX TRAUB products	G420 • B500 • B400 • TNA500.2 • TNA400.2 • G400.2 • G500 • G520 • G300.2 • G320.2 • B400.3 • TNA400.3 • B500.3 • TNA500.3



## Documents

### Product notes

[DE \(pdf\)](#)

[EN \(pdf\)](#)

[FR \(pdf\)](#)

[PT \(pdf\)](#)

## Accessories

Required for operation

### [Spanner](#)

Product ID : 10174063

Previous product ID : 325767

TH accessories  
category  
Tool

Mounting  
ER32

Collet type  
ER 32

Clamping nut type  
Male thread

Tools for Collet chucks  
Clamping nut wrench

### [Hook wrench](#)

Product ID : 10567017

Previous product ID : 490340.0590

TH accessories  
category  
Tool

Clamping nut type  
Outside diameter 55-62  
mm

Tools for Collet chucks  
Hook wrench

Optional accessories

### Tool holder accessories

### [Coolant Supply, internal 80 bar](#)

Product ID : 10687215

Previous product ID : W9990290

---

### [Clamping nut](#)

Product ID : 10322936

Previous product ID : 325950

TH accessories  
category  
Clamping nut

Mounting  
ER32

Collet type  
ER 32

Clamping nut type  
Male thread

### [Coolant tube, L=100 mm \(3.93"\)](#)

Product ID : 10346684

Previous product ID : W9990559

TH accessories  
category  
Cooling lubricant tube

Mounting  
M6

### **Other accessories**

### [Clamping collet](#)

Product ID : 10187712

Previous product ID : 901930.6---

---

### [Collet chuck](#)

Product ID : 10659178

Previous product ID : W999068-

---

### [tapping tool collet ET-1-32](#)

Product ID : 10640099

Previous product ID : 3242--

---

### [tapping tool collet](#)

Product ID : 10601144

Previous product ID : WZ9990.9509F

---

### [Coolant Nozzle](#)

Product ID : 11031912

Previous product ID : W67500.3208

---

[HOLLOW SCREW M14x1 M14x1](#)

Product ID : 10105238

Previous product ID : W67530.0818

---

[BUSHING 10 D x 6 D x 12,5](#)

Product ID : 10670360

Previous product ID : W67530.0824

---

[Sealing kit](#)

Product ID : 12181693

Previous product ID :

---

[Blanking plug MIT O-RING 479105.1200](#)

Product ID : 10988240

Previous product ID : W68540.2014

---