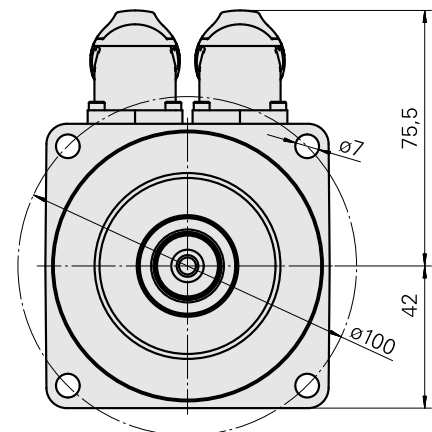
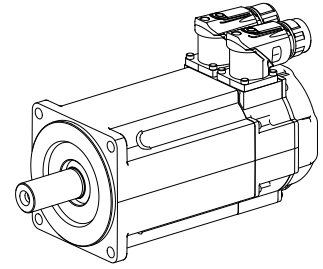


AC-Motor 3,53Nm6000 600V

Technical data

manufacturer product line	Kollmorgen
Electrical assemblies	Servomotor
manufacturer product line	AKM
Length	165.8 Millimeter
Width	84 Millimeter
Height	116 Millimeter
Voltage	600 Volt
Voltage type	AC~
(Nominal) speed (rpm)	6000 1/minute
Rated power W	1370 Watt
(Stall) torque [Nm]	3.53 Newton/meter
Plug connection/type	M23 (size 1 / encoder)
Encoder type	Increment
Brake	no – unbraked



Documents

Product notes

[EN \(pdf\)](#)

[DE \(pdf\)](#)

[FR \(pdf\)](#)