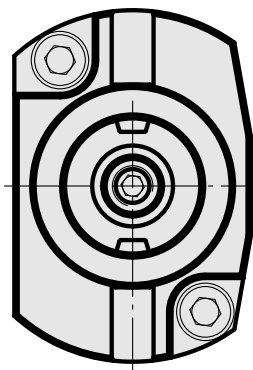
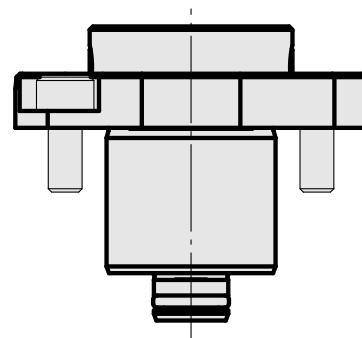
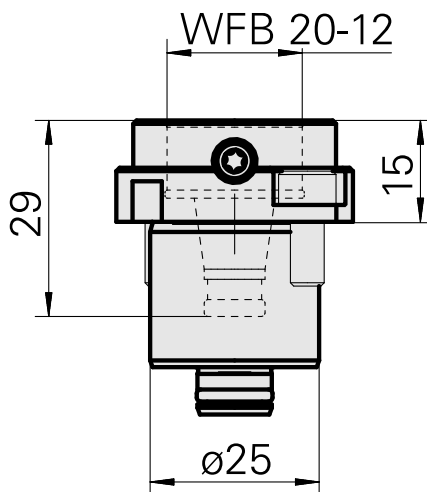


Mount Shank 25 WFB 20-12

Technical data

| | |
|-----------------------------|--|
| Shank KPS | Shank 25 |
| Drive | not live |
| Cooling | internal |
| Mounting | WFB 20-12 |
| Pressure | 80 bar, internal 120 bar opt. |
| X [mm] | - |
| Y [mm] | - |
| Z [mm] | 15 (0.59) |
| INDEX TRAUB products | TNL20 • TNL32-11 compact • TNL20-11 • TNL32 compact • TNK40.2-10 • TNL20.2 • TNK40.2 |



Documents

Product notes

[PT \(pdf\)](#)

[DE \(pdf\)](#)

[EN \(pdf\)](#)

[FR \(pdf\)](#)

Accessories

Optional accessories

Other accessories

[Adapter WFB 20-12 Horn S-Mini](#)

Product ID : 10777058

Previous product ID : 904012

[Adapter WFB 20-12 shrinking](#)

Product ID : 10477939

Previous product ID : 904006

[Adapter WFB 20-12 Weldon](#)

Product ID : 10221340

Previous product ID : 904007

[Adapter WFB 20-12 with collet mounting](#)

Product ID : 10625654

Previous product ID : 904008

[adapter WFB 20-12 mill arbor mounting](#)

Product ID : 10489061

Previous product ID : 904009

11080541
W9991238

INDEX

[Adapter WFB 20-12 Hydr. expansion chuck](#)

Product ID : 10566889
Previous product ID : 904010

[WFB for Turning tool holder](#)

Product ID : 10146029
Previous product ID : 904011

[WFB for tap chuck](#)

Product ID : 11004600
Previous product ID : WZ9990.9613F

[WFB miscellaneous mountings](#)

Product ID : 10243177
Previous product ID : WZ9990.9612F

[TORX SCREW M6 X 7MM M 6x1x7](#)

Product ID : 10004947
Previous product ID : 326171
