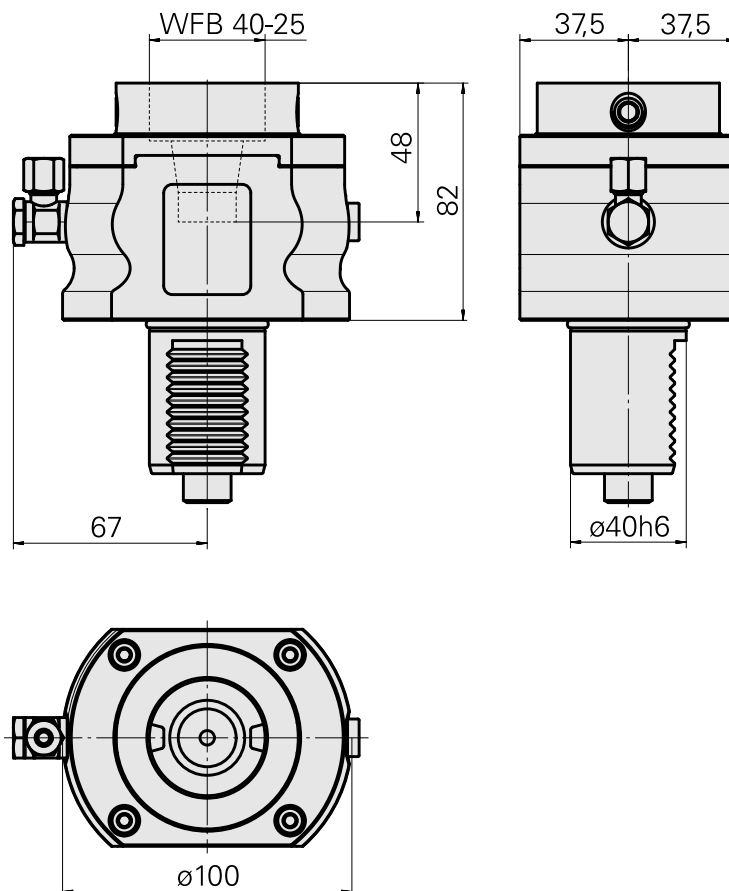
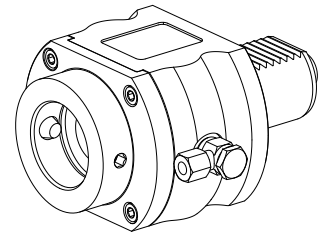


## Milling unit VDI 40 1:1 WFB 40-25

### Technical data

|                      |                         |
|----------------------|-------------------------|
| Shank VDI            | VDI 40                  |
| Drive                | Spline shaft B17x14     |
| Fixation VDI         | none                    |
| Speed ratio          | 1:1                     |
| Cooling              | external                |
| Pressure             | 80 bar                  |
| Mounting             | WFB 40-25               |
| reversible 180°      | no                      |
| Direction            | same as drive direction |
| X [mm]               | 82 (3.23")              |
| Y [mm]               | -                       |
| Z [mm]               | -                       |
| INDEX TRAUB products | TNA400                  |



## **Documents**

### **Product notes**

[DE \(pdf\)](#)

[EN \(pdf\)](#)

[FR \(pdf\)](#)

[PT \(pdf\)](#)