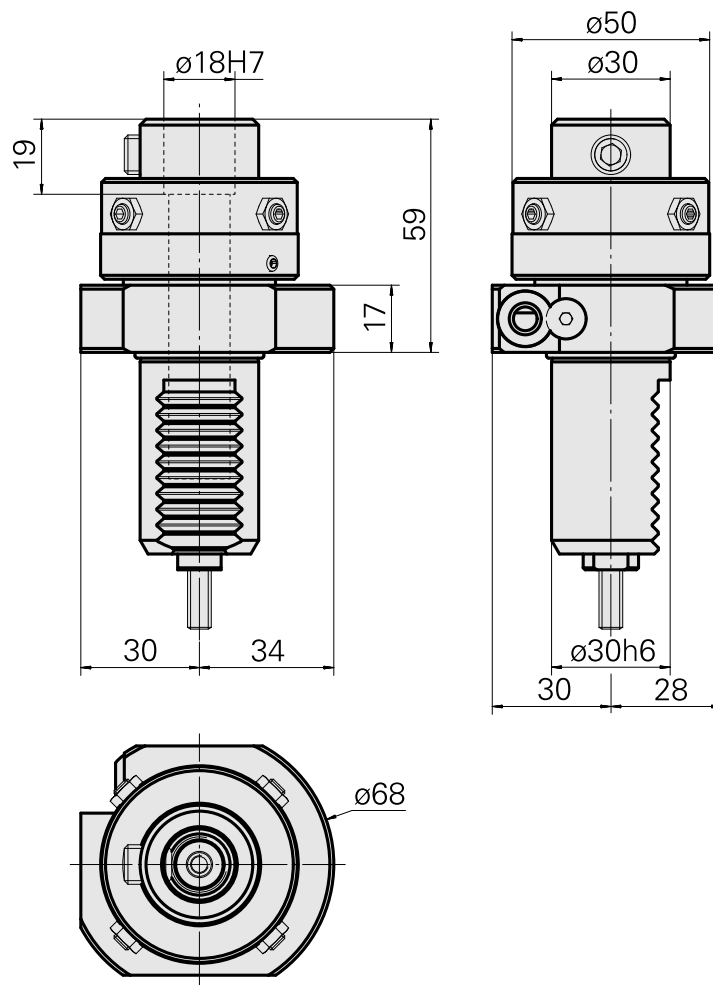


## Reaming tool holder VDI 30 D18 (0.71 "), adjustable

### Technical data

|                      |  |
|----------------------|--|
| Shank VDI            | VDI 30   |
| Drive                | not live                                       |
| Fixation VDI         | none   |
| Cooling              | external                                       |
| Pressure             | 20 bar   |
| Mounting             | D18  |
| reversible 180°      | no   |
| X [mm]               | 59 (2.32")                                     |
| Y [mm]               | -  |
| Z [mm]               | -  |
| INDEX TRAUB products | V100 • V200 • V160C • V160G •<br>V300 • TNA300 |



## Documents

No downloads available for this product

## Accessories

Optional accessories

### Other accessories

#### [Clamping sleeve D18](#)

Product ID : 10677907

Previous product ID : 993118.----

---

#### [Tube](#)

Product ID : 10676412

Previous product ID : W63211.5112

---

#### [Countersunk screw 8.8 Torx M 5x12 14581 M 5x12/T25 verzinkt 402315 12](#)

Product ID : 10607371

Previous product ID : 410362.0512

---