

WFB 20-12 ER16

Technical data

TH accessories category

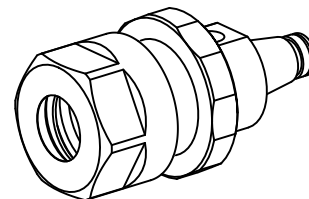
WFB 20-12

Mounting

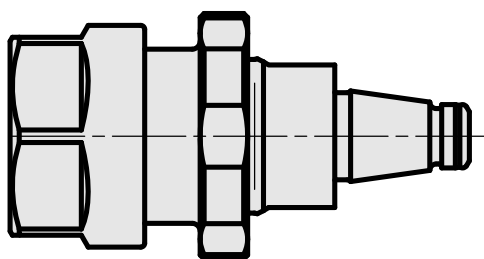
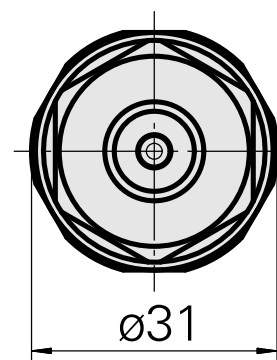
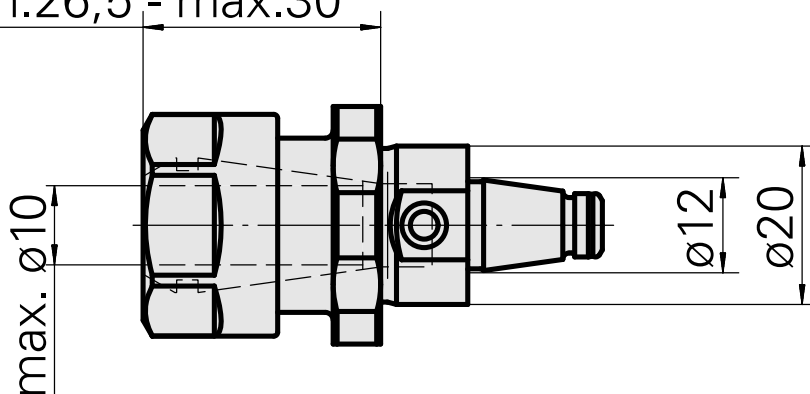
ER16

Quick change inserts

collet mounting



min.26,5 - max.30



Documents

No downloads available for this product

Accessories

Required for operation

[Spanner](#)

Product ID : 10966369

Previous product ID : 490219.0161

TH accessories category Tool	Mounting ER16	Collet type ER 16	Clamping nut type Female thread
Tools for Collet chucks Clamping nut wrench			

Optional accessories

Tool holder accessories

[Clamping nut](#)

Product ID : 10378189

Previous product ID : 901939.01

TH accessories category Clamping nut	Mounting ER16	Collet type ER 16	Clamping nut type Female thread
---	------------------	----------------------	------------------------------------

Other accessories

[Clamping collet](#)

Product ID : 10834596

Previous product ID : 901930.1---

[Clamping collet](#)

Product ID : 10589709

Previous product ID : W99903--

11032056
836622

INDEX

[tapping tool collet ET-1-16](#)

Product ID : 10542491
Previous product ID : 3230--

[tapping tool collet](#)

Product ID : 10865233
Previous product ID : WZ9990.9506F

[Collet chuck](#)

Product ID : 10870393
Previous product ID : W999065-

[Clamping collet, sealed](#)

Product ID : 10433061
Previous product ID : W999083-

[Adjusting screw M 5x10](#)

Product ID : 10674886
Previous product ID : 326793
