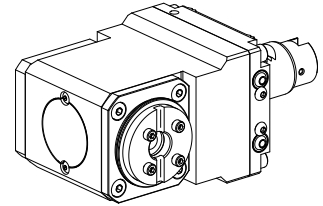


Milling unit VDI 40 2:1

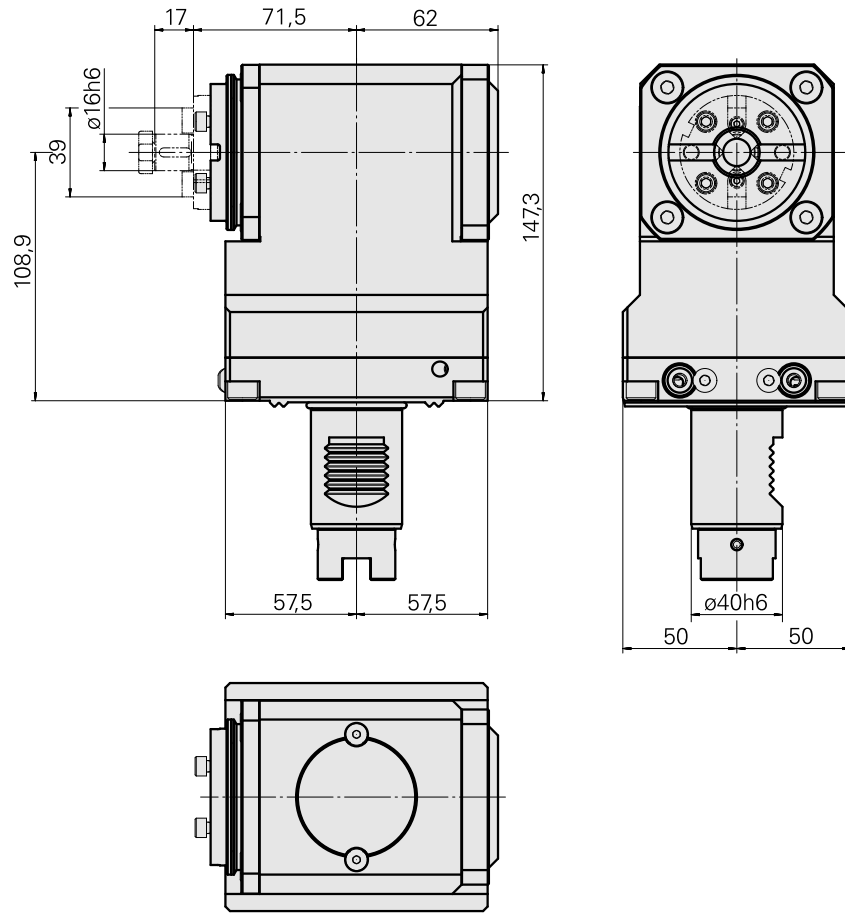
Technical data

Shank VDI	VDI 40
Drive	Dog clutch
Fixation VDI	W serration
Speed ratio	2:1
Cooling	external
Pressure	20 bar
reversible 180°	no
Direction	opposite to drive direction
X [mm]	110 (4.33")
Y [mm]	–
Z [mm]	64 (2.52)
INDEX TRAUB products	G400



Note

Tool holders specially for INDEX G400! Tool holder can be used only on the lower turret!



Documents

No downloads available for this product

Accessories

Required for operation

[Closure plug](#)

Product ID : 11029296

Previous product ID : W68560.1314

Optional accessories

Tool holders with VDI shank

[Milling cutter holding block Milling sha](#)

Product ID : 10670447

Previous product ID : W9990040

Drive	Mounting	X [mm]	Y [mm]
not live	Milling shaft D13	–	–
Z [mm]	INDEX TRAUB products		
–	A100 • C42/65 • G160 • G300 • G400 • MS32C • MS52C • TNX80 • V100 • V200 • A200-6 • ABC • B400 • C100 • C200 • G200 • G200.2 • G220 • G250 • MS16-6 • MS22-6 • MS22-8 • MS32-6.2 • MS40-6 • MS40-8 • TNX65/42 • V160C • V160G • V300 • TNA400.2 • ABC.2 • G300.2 • G320.2 • B400.3 • TNA400.3		

Milling cutter holding block Milling sha

Product ID : 11041286

Previous product ID : W9990041

Drive not live	Mounting Milling shaft D16	X [mm] -	Y [mm] -
Z [mm] -	INDEX TRAUB products A100 • C42/65 • G160 • G300 • G400 • MS32C • MS52C • TNX80 • V100 • V200 • A200-6 • ABC • B400 • C100 • C200 • G200 • G200.2 • G220 • G250 • MS16-6 • MS22-6 • MS22-8 • MS32-6.2 • MS40-6 • MS40-8 • TNX65/42 • V160C • V160G • V300 • TNA400.2 • ABC.2 • G300.2 • G320.2 • B400.3 • TNA400.3		

Milling cutter holding block Milling sha

Product ID : 12011567

Previous product ID :

Drive not live	Mounting Milling shaft D22	X [mm] 32.5 (1.28")	Y [mm] -
Z [mm] -	INDEX TRAUB products A100 • C42/65 • G160 • G300 • G400 • MS32C • MS52C • V100 • V200 • A200-6 • ABC • B400 • C100 • C200 • G200 • G200.2 • G220 • G250 • MS16-6 • MS22-6 • MS22-8 • MS32-6.2 • MS40-6 • MS40-8 • TNX65/42 • V160C • V160G • V300 • TNA400.2 • ABC.2 • G300.2 • G320.2 • B400.3 • TNA400.3		

Milling cutter holding block Milling sha

Product ID : 10435497

Previous product ID : W9990042

Drive not live	Mounting Milling shaft D22	X [mm] -	Y [mm] -
Z [mm] -	INDEX TRAUB products A100 • C42/65 • G160 • G300 • G400 • MS32C • MS52C • TNX80 • V100 • V200 • A200-6 • ABC • B400 • C100 • C200 • G200 • G200.2 • G220 • G250 • MS16-6 • MS22-6 • MS22-8 • MS32-6.2 • MS40-6 • MS40-8 • TNX65/42 • V160C • V160G • V300 • TNA400.2 • ABC.2 • G300.2 • G320.2 • B400.3 • TNA400.3		

Milling cutter holding block Milling sha

Product ID : 10807705

Previous product ID : W9990043

Drive not live	Mounting Milling shaft D27	X [mm] -	Y [mm] -
Z [mm] -	INDEX TRAUB products A100 • C42/65 • G160 • G300 • G400 • MS32C • MS52C • TNX80 • V100 • V200 • A200-6 • ABC • B400 • C100 • C200 • G200 • G200.2 • G220 • G250 • MS16-6 • MS22-6 • MS22-8 • MS32-6.2 • MS40-6 • MS40-8 • TNX65/42 • V160C • V160G • V300 • TNA400.2 • ABC.2 • G300.2 • G320.2 • B400.3 • TNA400.3		

[Milling cutter holding block Milling sha](#)

Product ID : 10223928

Previous product ID : W9990044

Drive not live	Mounting Milling shaft D32	X [mm] -	Y [mm] -
Z [mm] -	INDEX TRAUB products A100 • C42/65 • G160 • G300 • G400 • MS32C • MS52C • TNX80 • V100 • V200 • A200-6 • ABC • B400 • C100 • C200 • G200 • G200.2 • G220 • G250 • MS16-6 • MS22-6 • MS22-8 • MS32-6.2 • MS40-6 • MS40-8 • TNX65/42 • V160C • V160G • V300 • TNA400.2 • ABC.2 • G300.2 • G320.2 • B400.3 • TNA400.3		

Tool holder accessories

[Hook wrench](#)

Product ID : 10567017

Previous product ID : 490340.0590

TH accessories category Tool	Clamping nut type Outside diameter 55-62 mm	Tools for Collet chucks Hook wrench
------------------------------------	---	--

Other accessories

[SPRAY NOZZLE 14D/M6](#)

Product ID : 10358770

Previous product ID : 474550.0121

[Lens head screw](#)

Product ID : 10188636

Previous product ID : 410243.0606

11016859
W1455011

INDEX

[RING 14,5x17x3](#)

Product ID : 10112373

Previous product ID : W68560.1312
