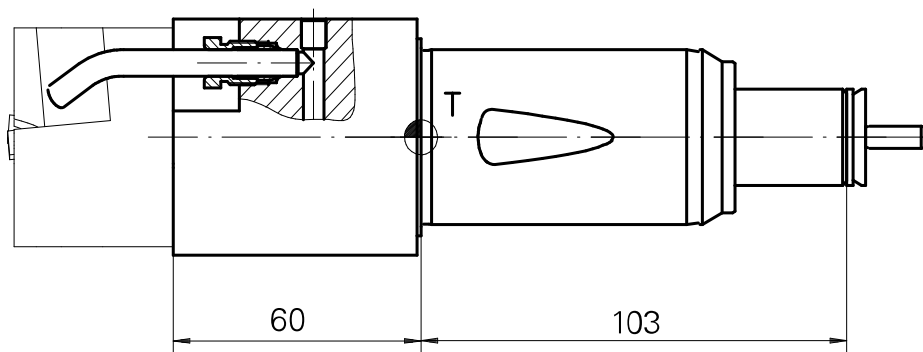
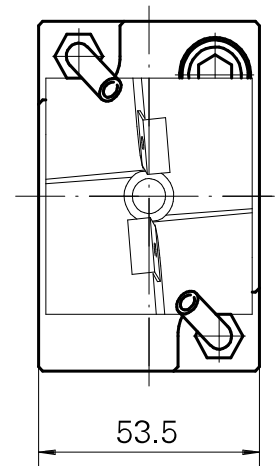
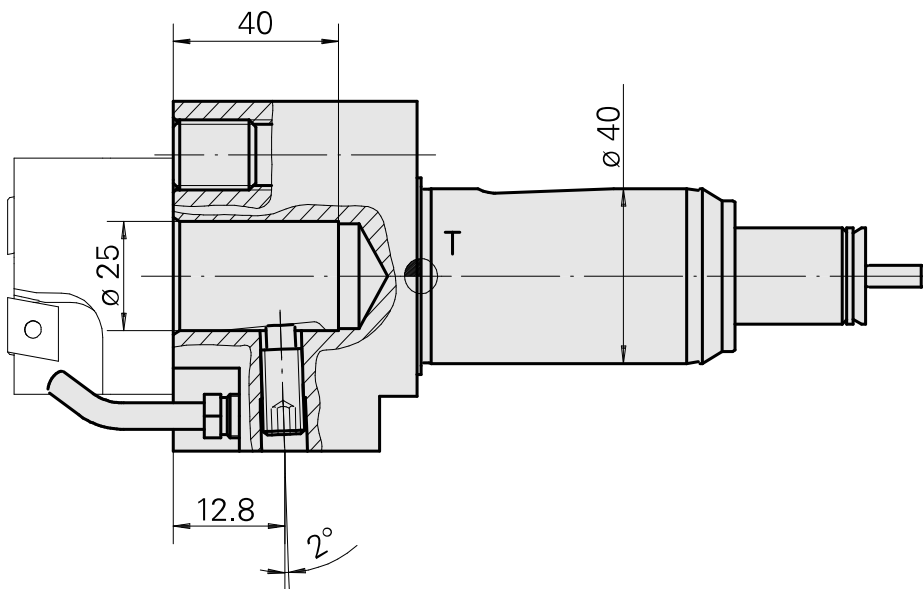
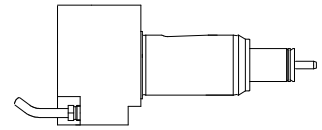


## Drilling tool holder Shank 40 DIN 1835 E

### Technical data

Shank TNL	Shank 40
Drive	not live
Cooling	external
Pressure	120 bar
Mounting	D25
INDEX TRAUB products	TNK36 • TNL26



11005237  
984763

**INDEX**

---

## **Documents**

No downloads available for this product