

Boring head for DN.. 1506..

Technical data

Mounting

for DN.. 1506..

Cooling

internal

Pressure

50 bar

X [mm]

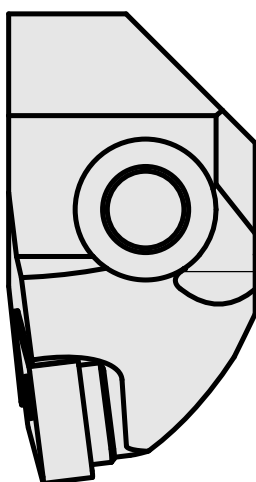
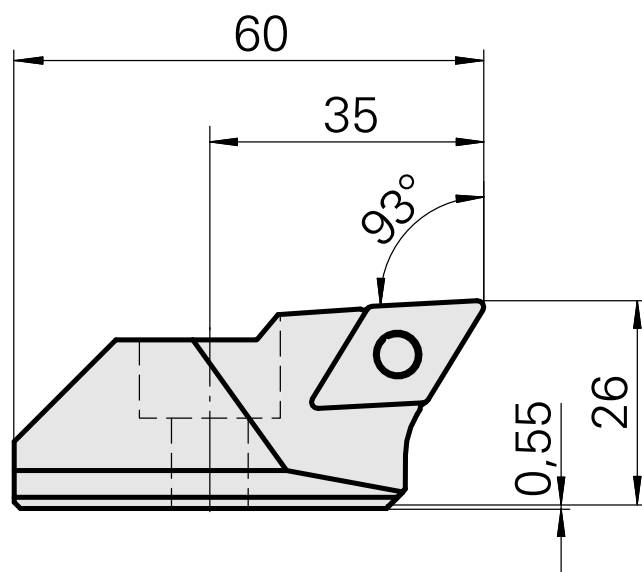
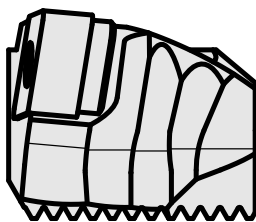
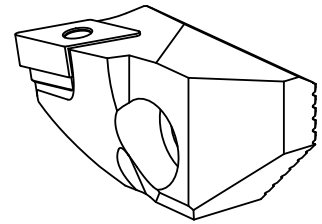
26 (1.02")

Z [mm]

35 (1.38)

INDEX TRAUB products

G420 • G520 • G320.2 • G220.3 •
TNX220.3



Documents

No downloads available for this product