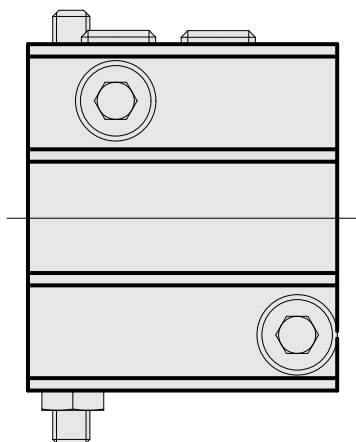
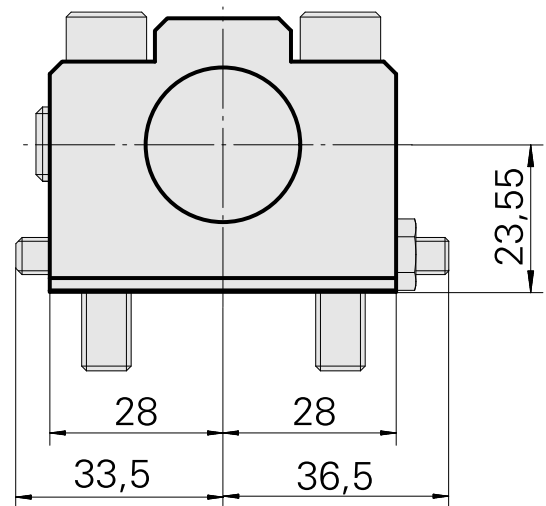
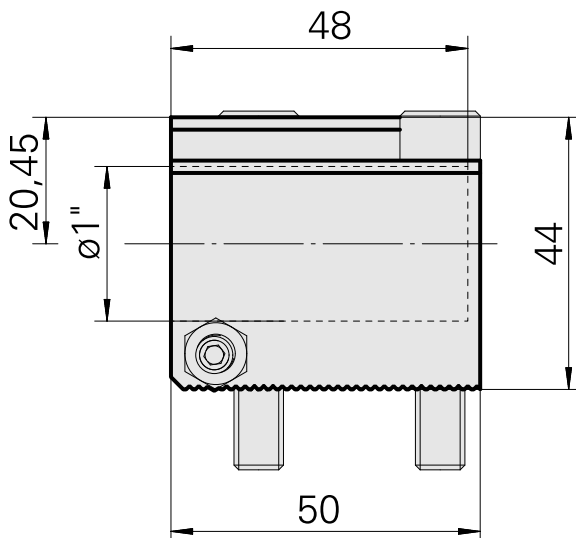
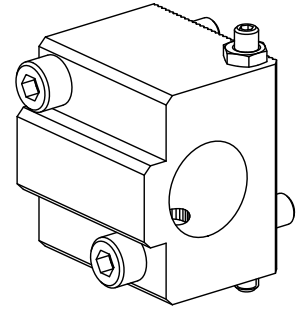


## Drill holding block D1", horizontally adjustable

### Technical data

Drive	not live
Cooling	internal
Pressure	20 bar
Mounting	D1"
reversible 180°	no
X [mm]	23.55 (0.93")
Y [mm]	-
Z [mm]	50 (1.97)
INDEX TRAUB products	ABC • ABC.2



## **Documents**

No downloads available for this product