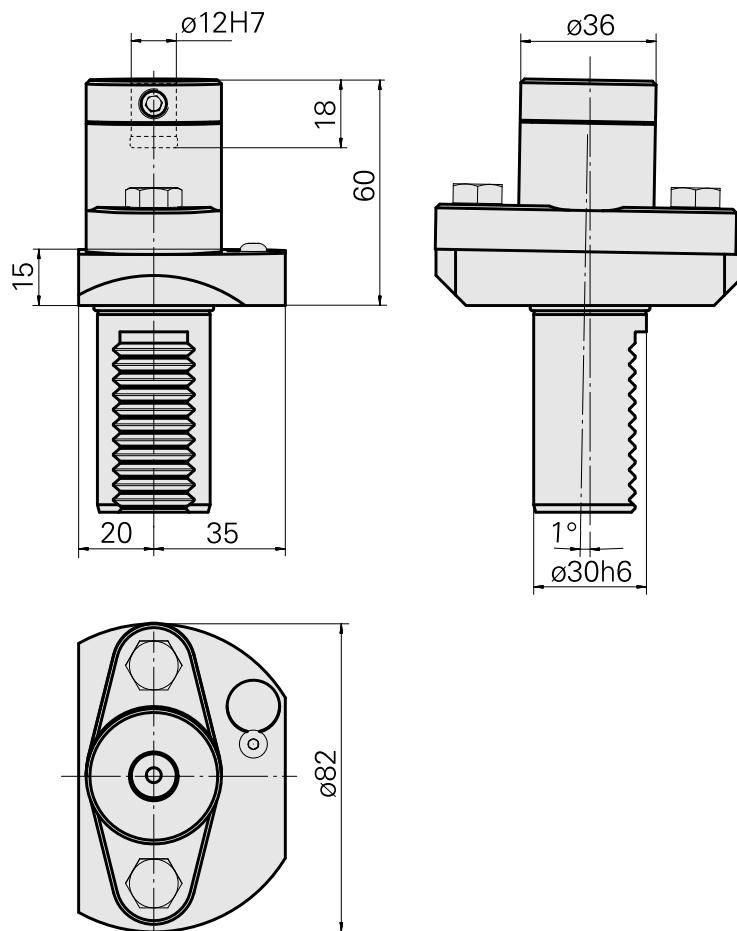
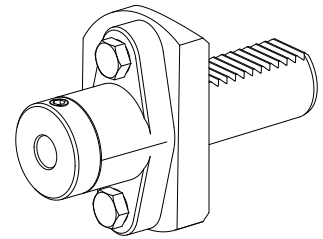


Broachholder VDI 30 D12, rotating, live

Technical data

| | |
|----------------------|--|
| Shank VDI | VDI 30 |
| Drive | not live |
| Fixation VDI | none |
| Cooling | external |
| Pressure | 20 bar |
| Mounting | D12 |
| reversible 180° | no |
| Data carrier | check tool station bore |
| X [mm] | 60 (2.36") |
| Y [mm] | - |
| Z [mm] | - |
| INDEX TRAUB products | V100 • V200 • V160C • V160G • V300 • TNA300 |



Documents

Product notes

[DE \(pdf\)](#)

[EN \(pdf\)](#)

[FR \(pdf\)](#)

Accessories

Optional accessories

Tool holder accessories

[tube, M6x48,45°](#)

Product ID : 10683174

Previous product ID : W63501.2622

TH accessories
category

Cooling lubricant tube

Mounting
M6

Other accessories

[SPRAY NOZZLE 14D/M6](#)

Product ID : 10358770

Previous product ID : 474550.0121

[Lens head screw](#)

Product ID : 10344546

Previous product ID : 410243.0406

[Slotting tool for hexagon socket](#)

Product ID : 10155732

Previous product ID : W37606.-----

[Mandrel](#)

Product ID : 10727998

Previous product ID : W37604.-----

10929722
W1300034

INDEX

Mandrel

Product ID : 12164626
Previous product ID :
