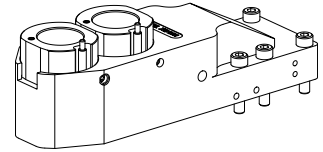


Basic holder MS32/MS40 Hydraulic expansi, double

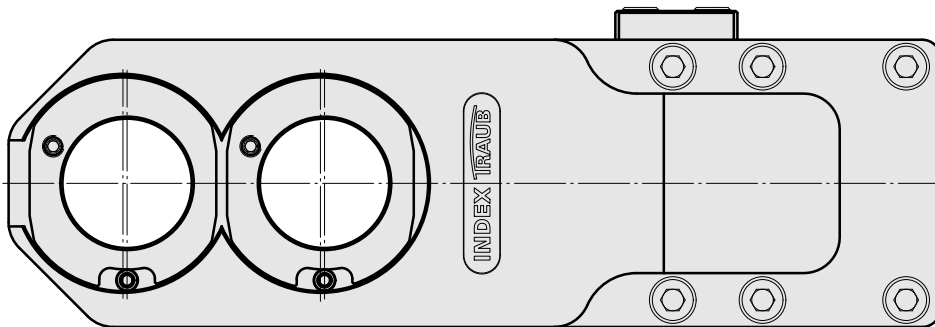
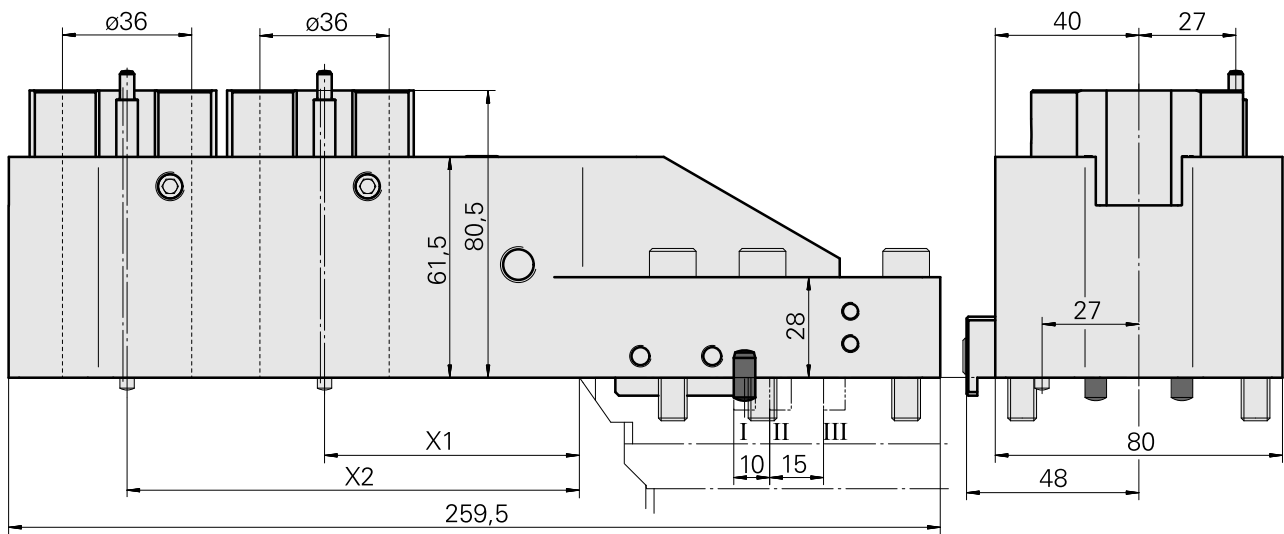
Technical data

Slide system MS	MS32/MS40
Drive	not live
Fixation MS	Splined key/pin
Mounting	Hydraulic expansion chuck D36
X [mm]	71 + 126 (2.80" + 4.96")
Y [mm]	–
Z [mm]	0 ()
INDEX TRAUB products	MS32C • MS32-6.2 • MS40-6 • MS32-6.3



Note

I, II, and III correspond to the respective groove in the slide plate!
When using grooving tool holder 10933253 on the adjacent stations, a collision detection check must be performed! Cannot be used on the INDEX MS32-6 with 3-axis-handling in positions 1.2, 2.1 and 5.1! Use 10314588 for this!



	I	II	III
X1	71	61	46
X2	126	116	101

Documents

Product notes

[DE \(pdf\)](#)

[EN \(pdf\)](#)

[FR \(pdf\)](#)

[FR \(pdf\)](#)

[EN \(pdf\)](#)

[DE \(pdf\)](#)

Accessories

Optional accessories

MS tool holders

[Blanking plug](#)

Product ID : 12013852

Previous product ID :

Drive not live	Fixation MS Clamping ring D36	X [mm] -	Y [mm] -
Z [mm] -			

Other accessories

[Eccentric bush](#)

Product ID : 11066776

Previous product ID : W9990513

[Not defined Standard MS32](#)

Product ID : 10536748

Previous product ID : WM3600.3100F
