

## Adaptor

### Technical data

TH accessories category

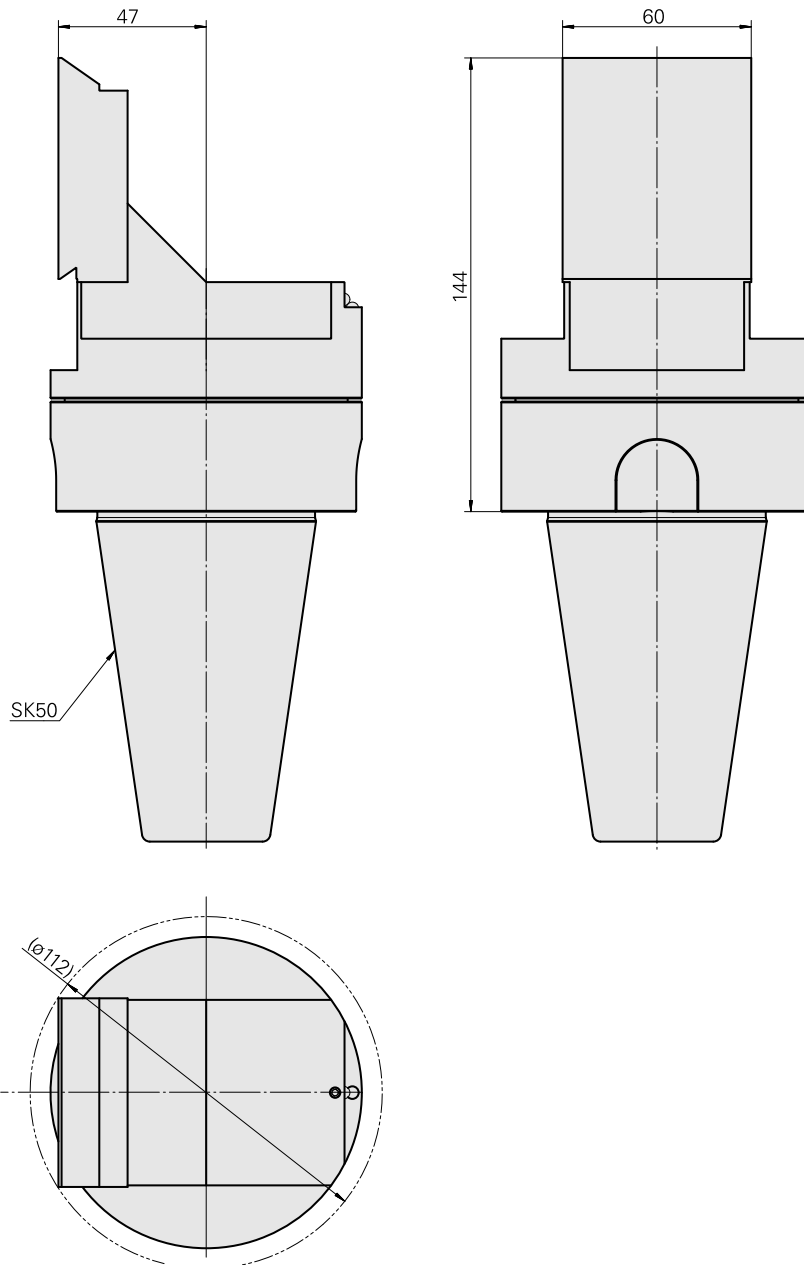
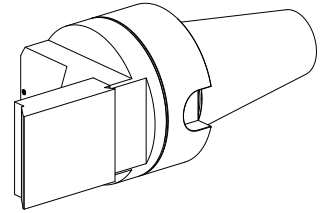
Adapter for presetting units

Mounting

SK50

Tool mounting

MS16/MS22 Cross slide



10848553  
W9990991

**INDEX**

---

## **Documents**

No downloads available for this product