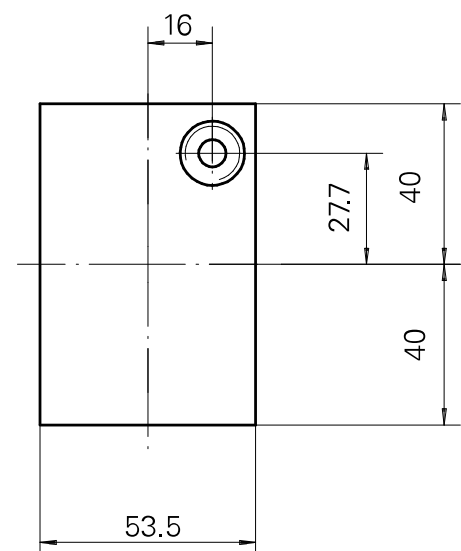
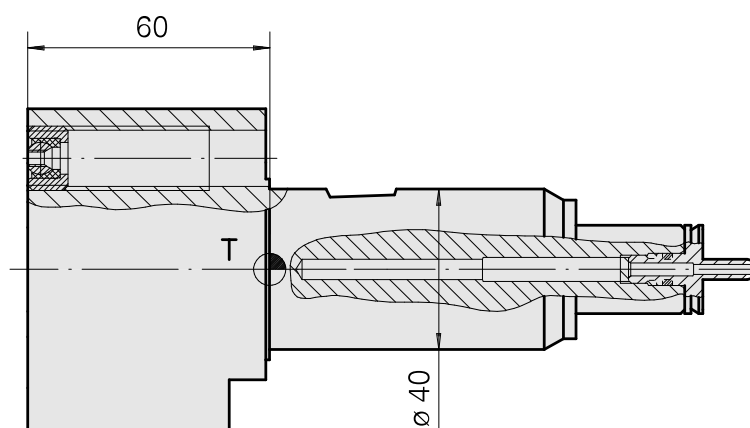
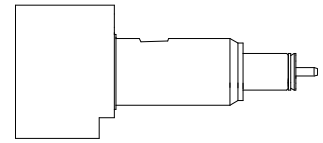


## Tool holder blank Shank 40

### Technical data

|                      |               |
|----------------------|---------------|
| Shank TNL            | Shank 40      |
| Drive                | not live      |
| Cooling              | internal      |
| Pressure             | 120 bar       |
| INDEX TRAUB products | TNK36 • TNL26 |



10802988  
984536

**INDEX**

---

## **Documents**

No downloads available for this product