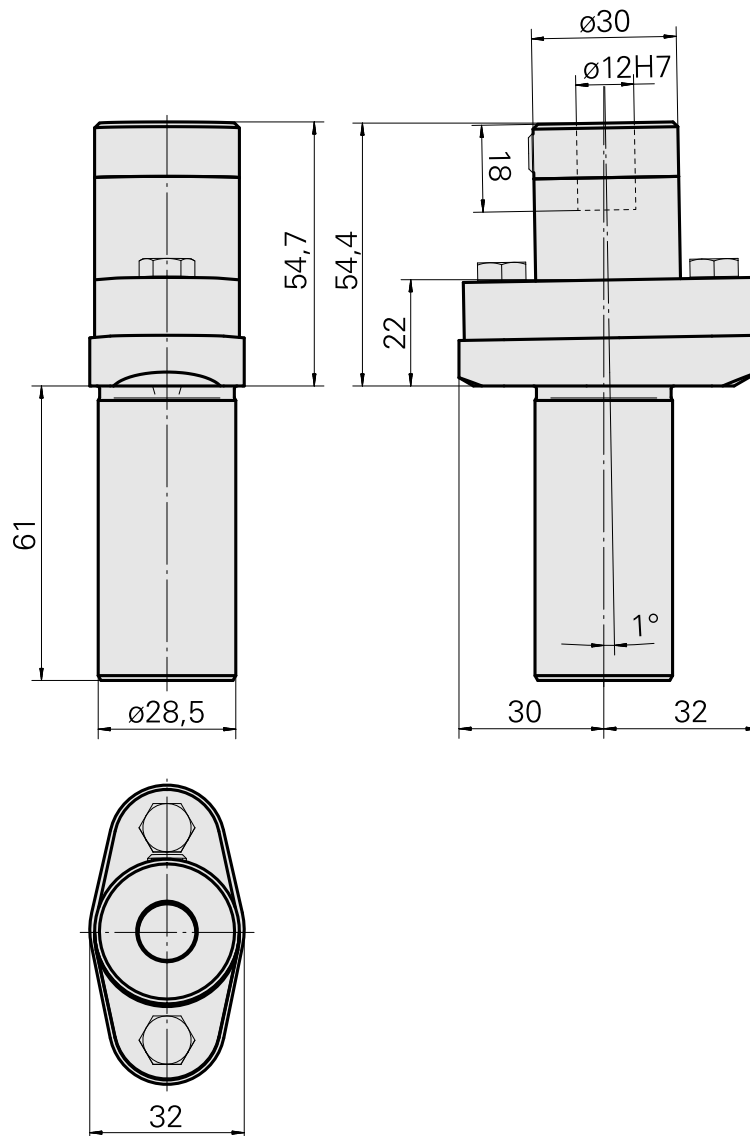
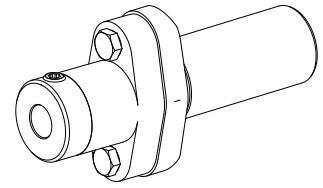


## Broachholder D12

### Technical data

Drive	not live
Fixation MS	Clamping ring D28.5
Mounting	D12
X [mm]	54 (2.13")
Y [mm]	-
Z [mm]	-
INDEX TRAUB products	A100 • MS16-6 • MS22-6 • MS22-8 • MS24-6 • MS16-6 Plus



## Documents

### Product notes

[DE \(pdf\)](#)

[EN \(pdf\)](#)

[FR \(pdf\)](#)

## Accessories

Optional accessories

### Other accessories

[Slotting tool for hexagon socket](#)

Product ID : 10155732

Previous product ID : W37606.----

---

[Mandrel](#)

Product ID : 10727998

Previous product ID : W37604.----

---

[Mandrel](#)

Product ID : 12164626

Previous product ID :

---