

## WFB 32-20 Shrink-fit mounting D14

### Technical data

TH accessories category

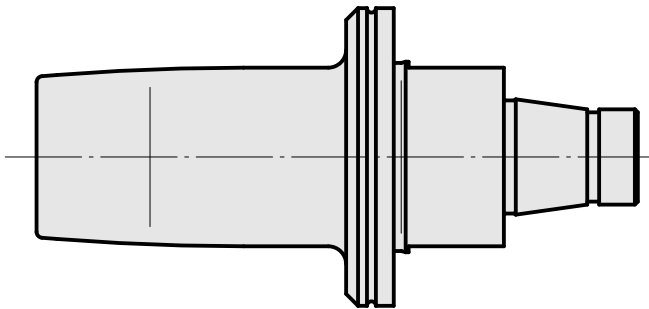
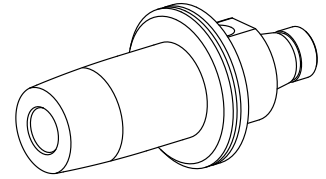
WFB 32-20

Mounting

Shrink-fit mounting D14

Quick change inserts

shrink-fit mounting



## **Documents**

No downloads available for this product