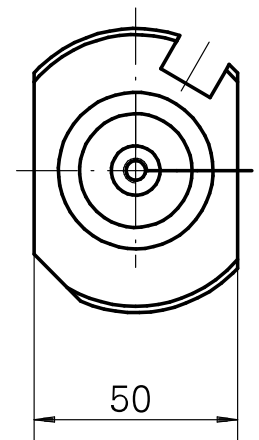
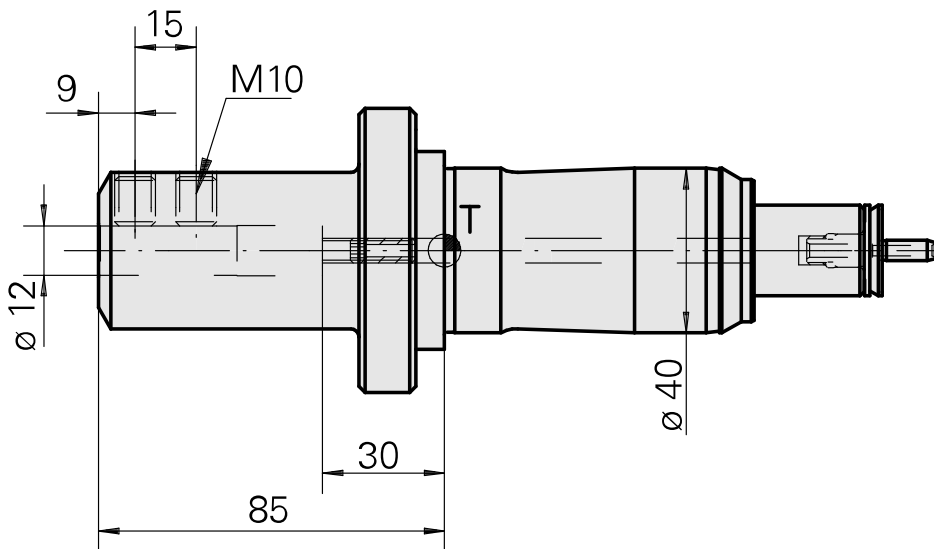
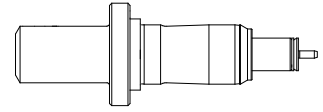


Drilling tool holder Shank 40 D12 (0.47)

Technical features

Shank TNL	Shank 40
Drive	not live
Cooling	internal
Pressure	120 bar
Mounting	D12
INDEX TRAUB products	TNK36 • TNL26



10775971
986940

INDEX

Documents

No downloads available for this product