

## INDEX CAPTO C3 for DN.. 1104.., right, without gripper groove

### Technical data

TH accessories category

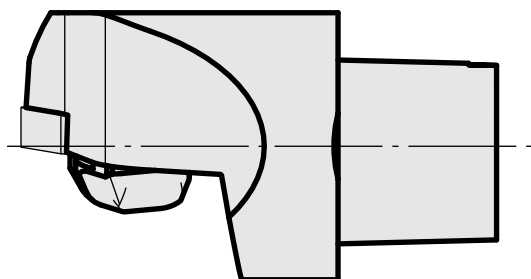
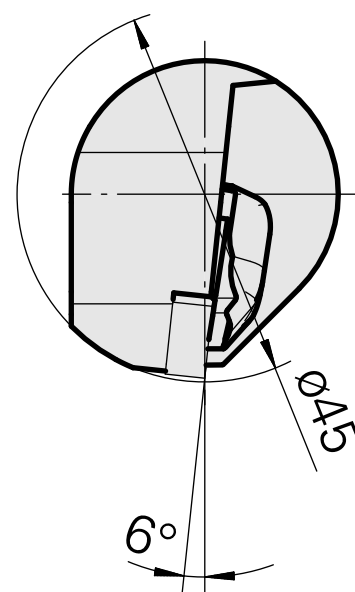
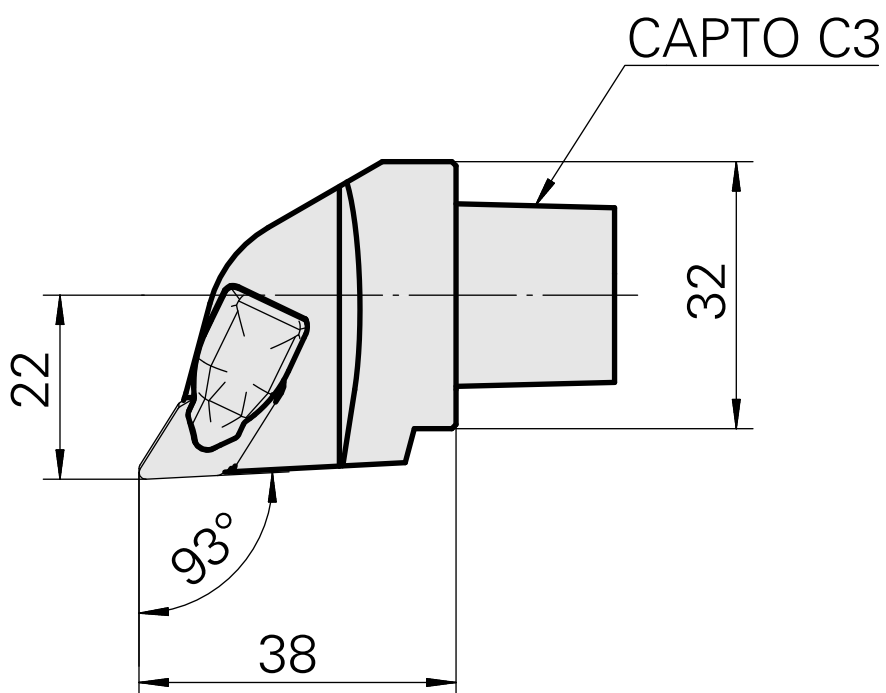
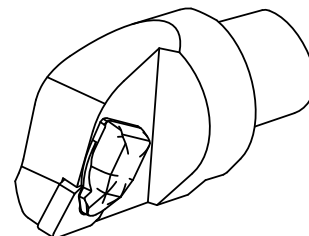
INDEX CAPTO C3

Mounting

for DN.. 1104..

Quick change inserts

Turning tool holder



10765148  
W9990807

**INDEX**

---

## **Documents**

No downloads available for this product