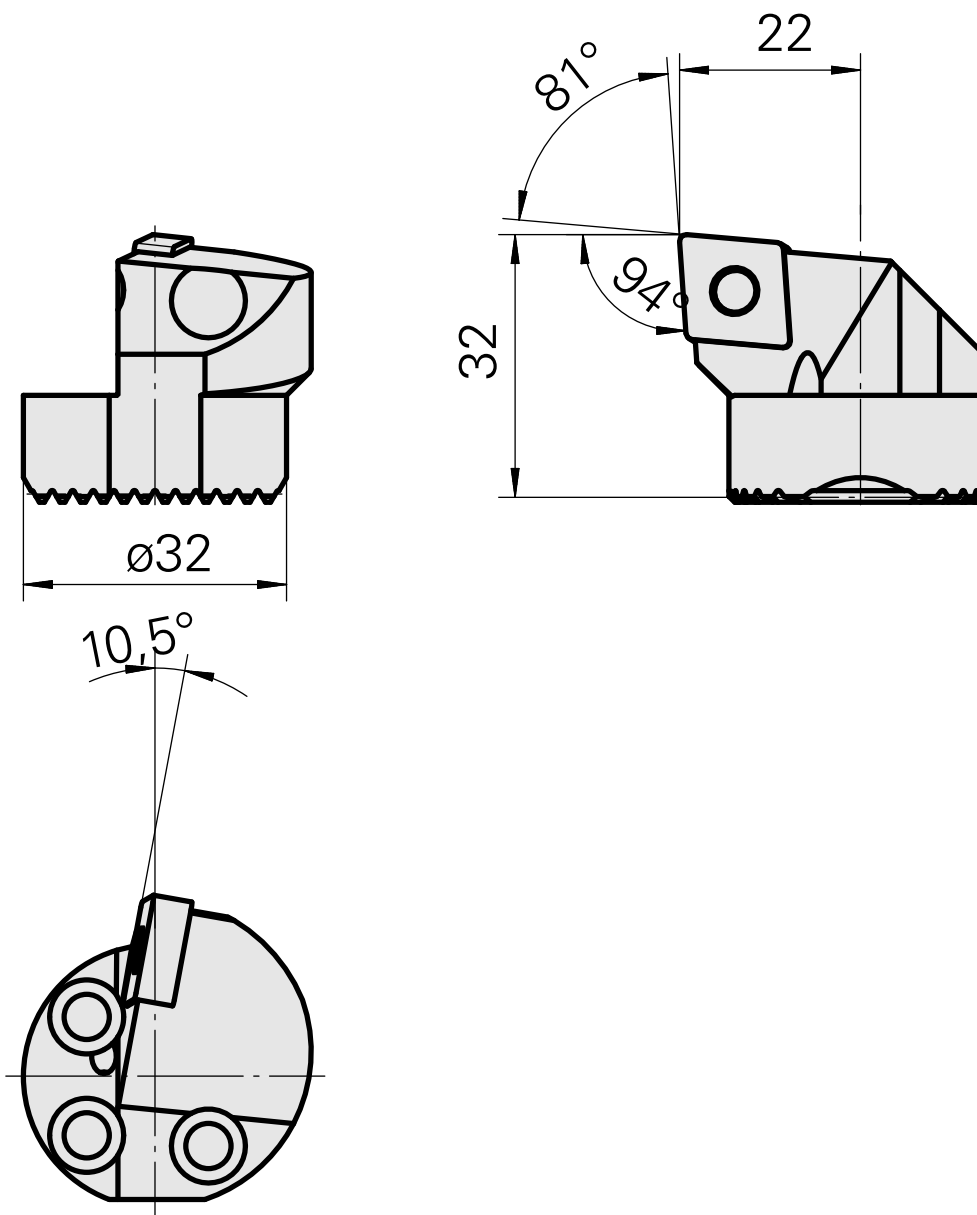


## Boring head for CN.. 1204..

### Technical data

Mounting	for CN.. 1204..
Cooling	internal
Pressure	50 bar
X [mm]	32 (1.26")
Z [mm]	22 (0.87)
INDEX TRAUB products	G220.3 • R200 • TNX65/42 • TNX220.3



## **Documents**

No downloads available for this product

## **Accessories**

Required for operation

### [Spare parts 315003](#)

Product ID : 10919485

Previous product ID : W00014.0016

---