

WFB 32-20 Shrink-fit mounting D3

Technical data

TH accessories category

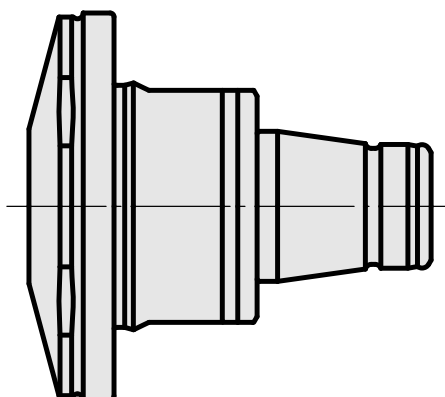
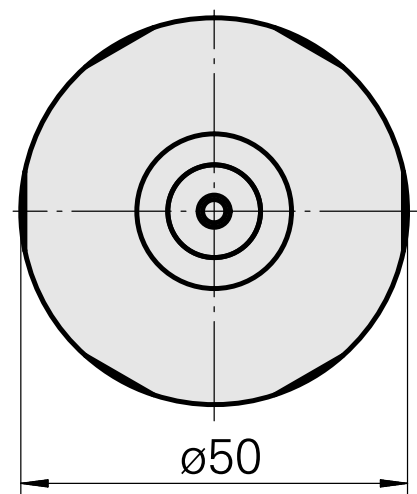
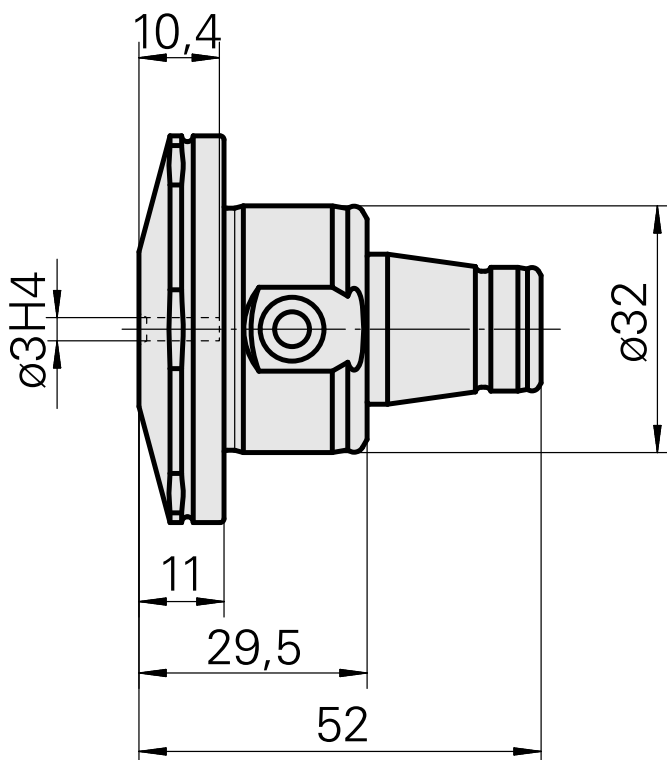
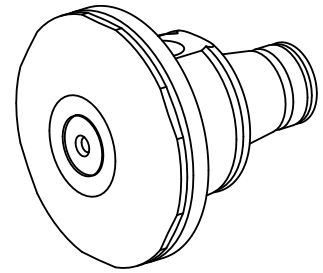
WFB 32-20

Mounting

Shrink-fit mounting D3

Quick change inserts

shrink-fit mounting



10713281
W9990564

INDEX

Documents

No downloads available for this product