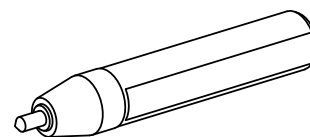


## Marking tool, Tip angle/radius 60°/R0.5 mm

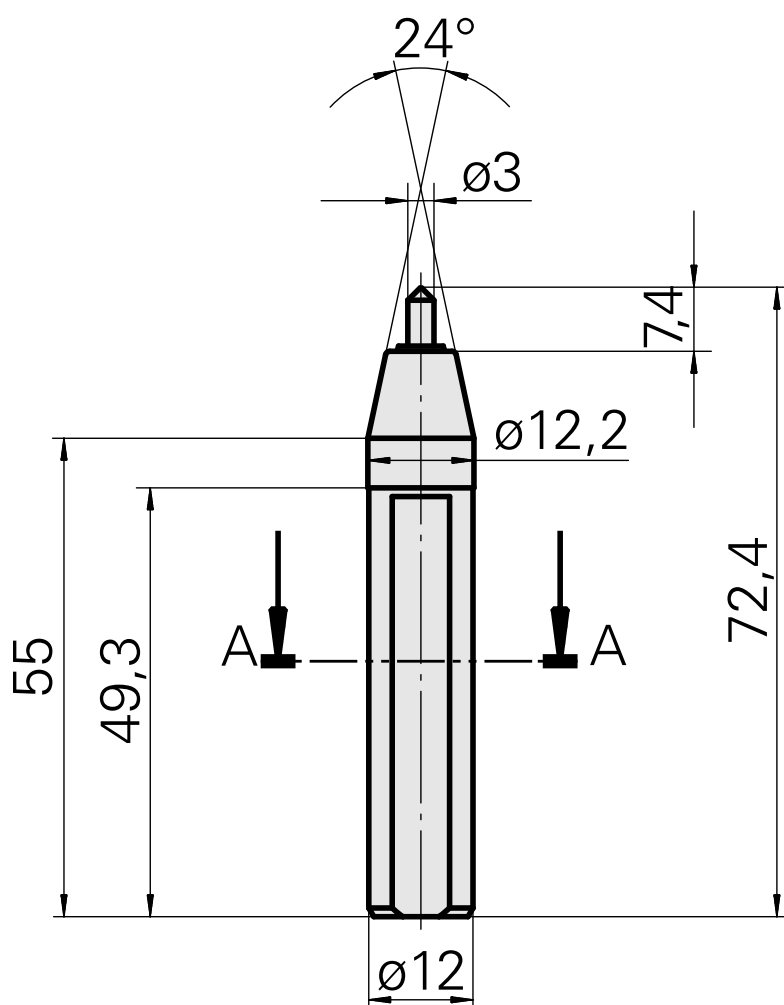
### Technical data

TH accessories category	Marking tool
Tool mounting	12mm

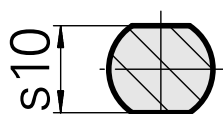


### Note

Stylus for plastics and medium line thickness



A-A



## **Documents**

### **Product notes**

[DE \(pdf\)](#)

[FR \(pdf\)](#)

[PT \(pdf\)](#)

[EN \(pdf\)](#)