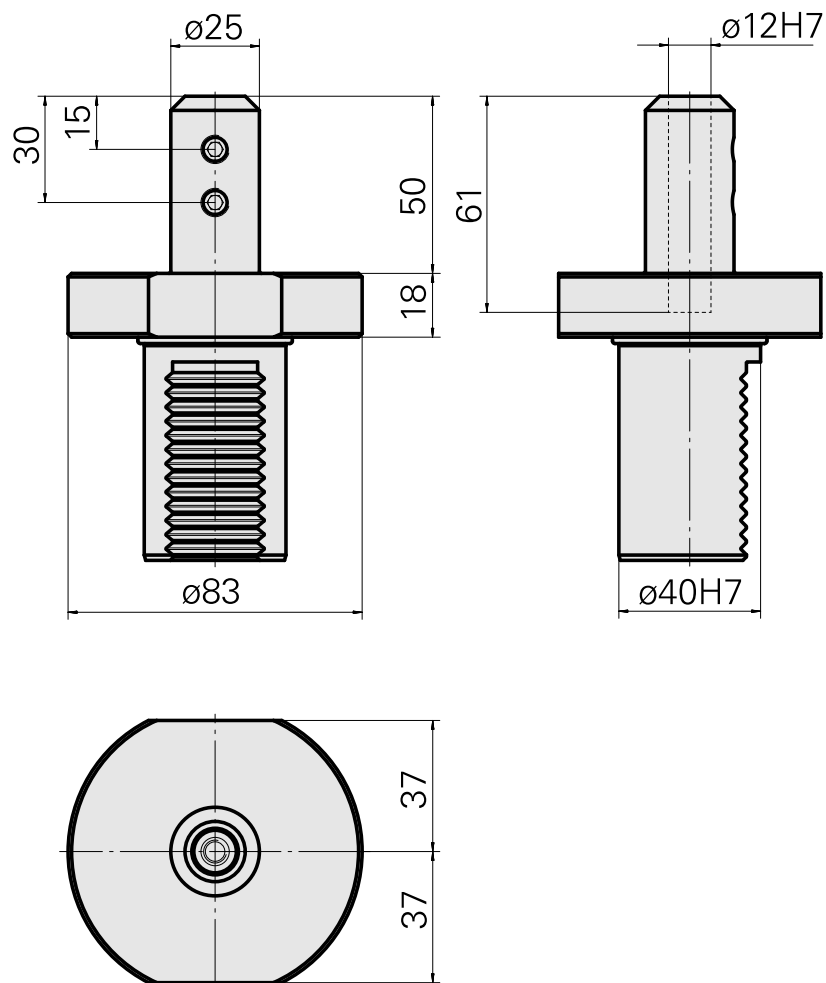
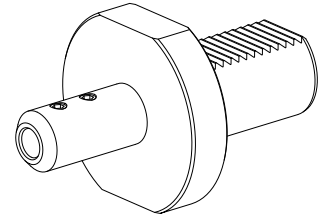


## Drilling tool holder, Specially for the marking tool WriteStar

### Technical data

Shank VDI	VDI 40
Drive	not live
Fixation VDI	none
Mounting	D12
reversible 180°	no
X [mm]	68 (2.68")
Y [mm]	-
Z [mm]	-
INDEX TRAUB products	G300 • G400 • V200 • G250 • V160C • V160G • V300 • TNA400 • B400 • B500 • TNA500.2 • TNA400.2 • G420 • G400.2 • G500 • G520 • TNA400.3 • B400.3 • B500.3 • TNA500.3



---

## Documents

No downloads available for this product

## Accessories

Optional accessories

**Tool holder accessories**

[Marking tool, Tip angle/radius 90°/R0.5mm](#)

Product ID : 10448780

Previous product ID : W9990300

TH accessories  
category  
Marking tool

Tool mounting  
12mm