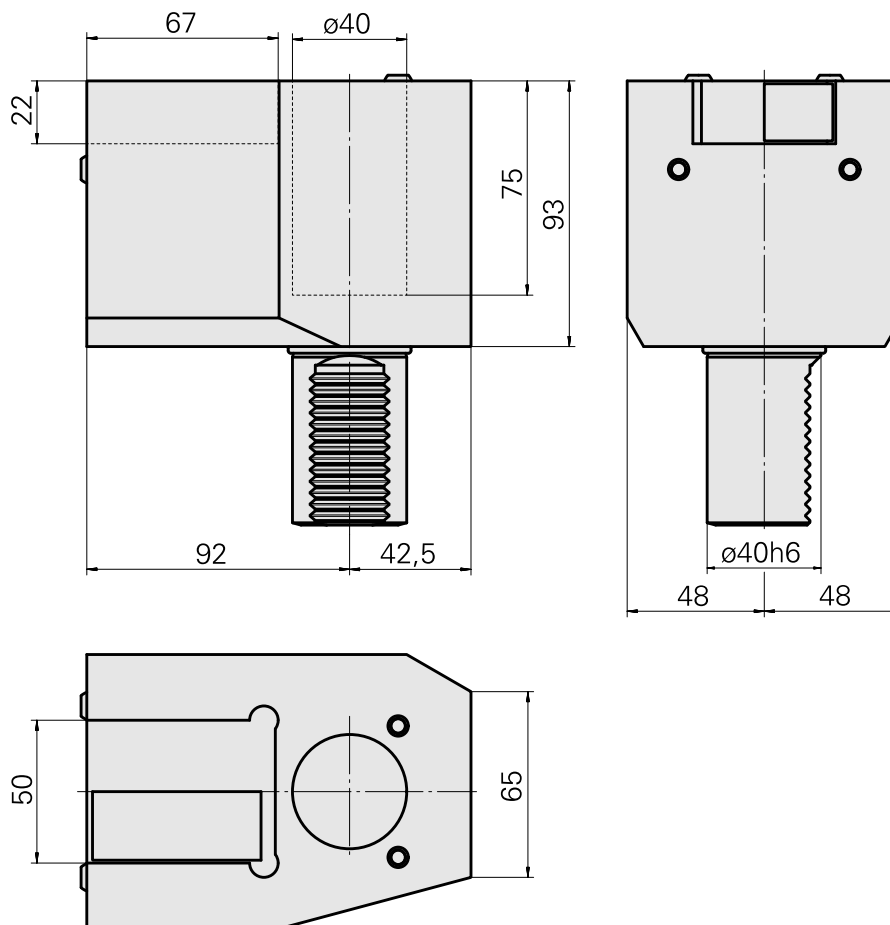
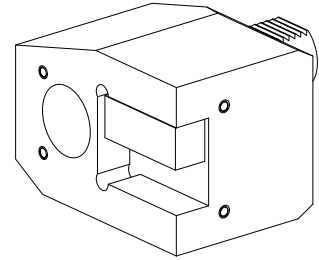


Drilling and turning holder VDI 40 D40 (

Technical data

| | |
|-----------------------------|--|
| Shank VDI | VDI 40 |
| Drive | not live |
| Fixation VDI | none |
| Cooling | external |
| Pressure | 40 bar |
| Mounting | D40/Square 25x25 |
| reversible 180° | no |
| X [mm] | 93 (3.66") |
| Y [mm] | – |
| Z [mm] | 92 (3.62) |
| INDEX TRAUB products | TNA400 • B400 • B500 • TNA500.2 • TNA400.2 • TNA400.3 • B400.3 • B500.3 • TNA500.3 |



Documents

No downloads available for this product

Accessories

Optional accessories

Other accessories

[Mounting sleeve with collar D40](#)

Product ID : 10480161

Previous product ID : W64222.41--

[Mounting sleeve D40 2x holes](#)

Product ID : 10159790

Previous product ID : W64220.02--

[Mounting sleeve D40 3x holes](#)

Product ID : 10789882

Previous product ID : W64221.14--

[Not defined](#)

Product ID : 10090727

Previous product ID : W9990343

[Spanner f. Kühlmittelsatz W9990343](#)

Product ID : 10466546

Previous product ID : SW000257
