

WFB 20-12 for CC.. 09T3.., right, without gripper groove

Technical data

TH accessories category

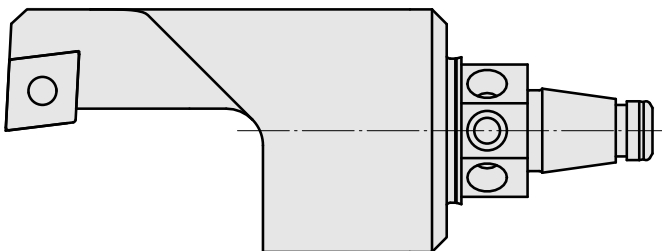
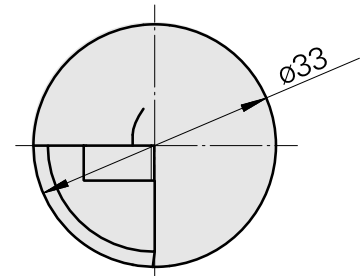
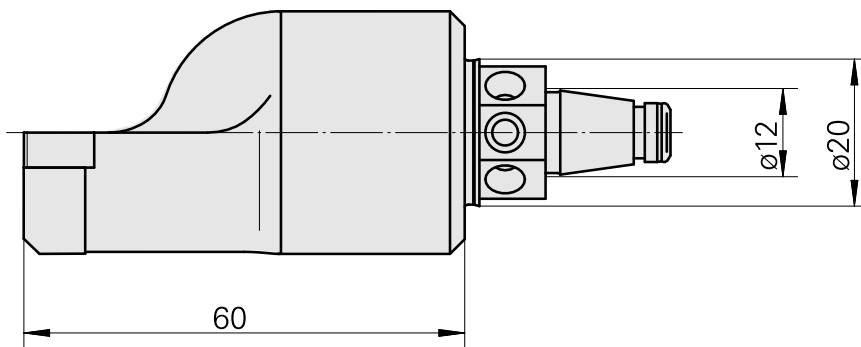
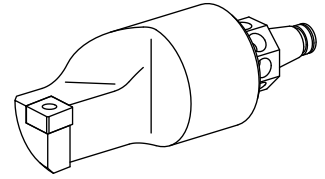
WFB 20-12

Mounting

for CC.. 09T3..

Quick change inserts

Turning tool holder



Documents

No downloads available for this product