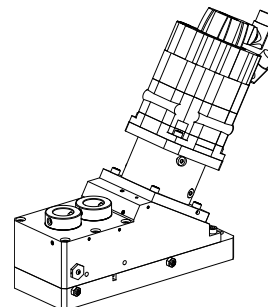


---

## Back end unit MS52 2,05:1 WFB 32-20, reinforced, fluid-cooled drive

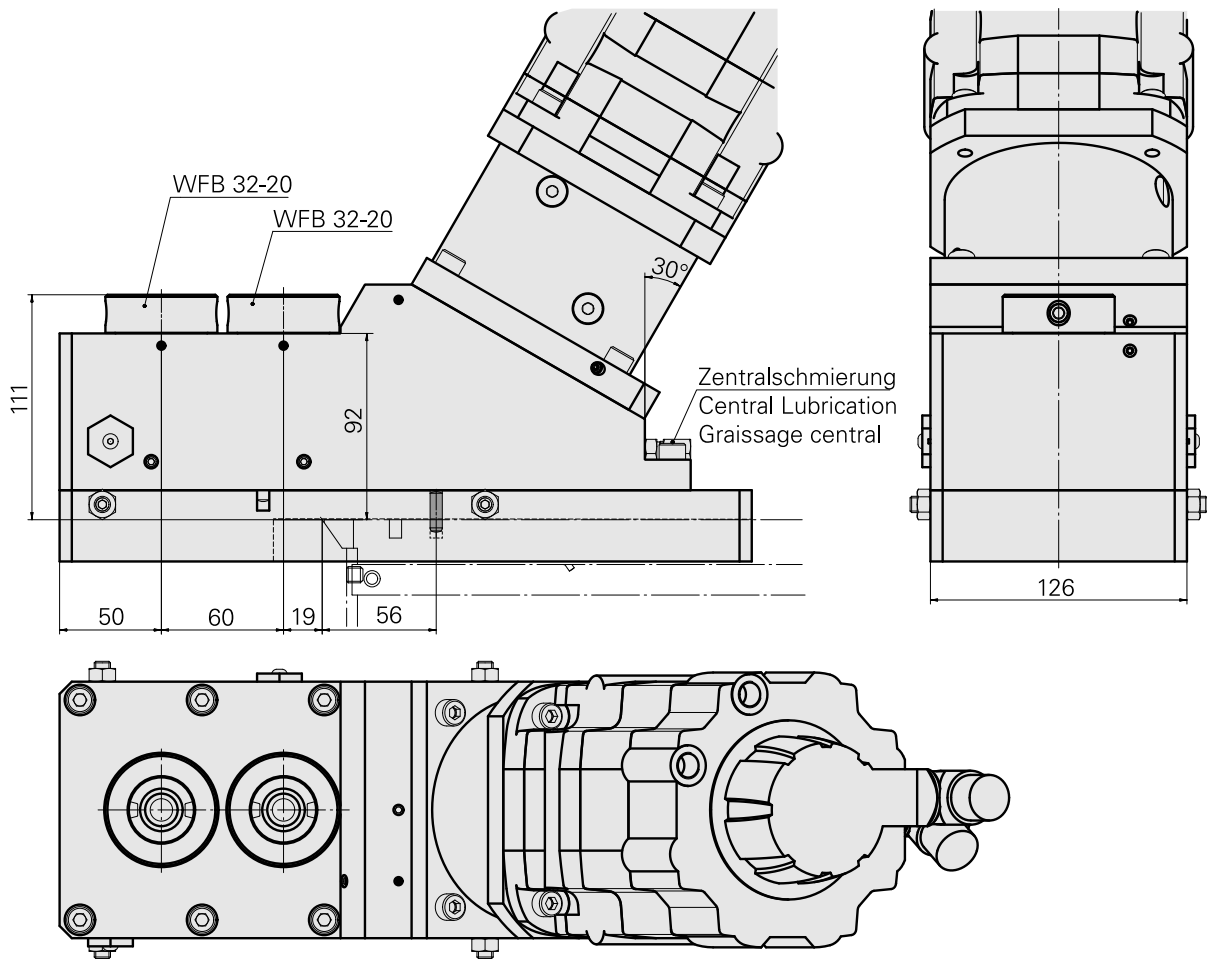
### Technical data

Slide system MS	MS52
Drive	Direct drive
Fixation MS	Splined key/pin
Speed ratio	2,05:1
Mounting	WFB 32-20
X [mm]	–
Y [mm]	–
Z [mm]	–
INDEX TRAUB products	MS52C • MS52-6.3



### Note

Can be used only in positions X.3! The unit must be connected to a central lubrication system! The unit may only be used in combination with any of the specified motors and the corresponding UNIT! Motor (AC), 10 Nm – 12107824 (Siemens 1FT7062-5WK74-1NK2) included. UNIT 155



## Documents

### Product notes

[DE \(pdf\)](#)

[EN \(pdf\)](#)

[FR \(pdf\)](#)

[PT \(pdf\)](#)

[DE \(pdf\)](#)

[EN \(pdf\)](#)

[FR \(pdf\)](#)

## Accessories

Required for operation

### [Assembly parts](#)

Product ID : 10792114

Previous product ID : W00031.0003

---

### [Cable kit, 5m im Arbeitsraum](#)

Product ID : 10912003

Previous product ID : GM5702.9055

---

Optional accessories

### Other accessories

#### [Shrink WFB 32-20 adapter](#)

Product ID : 10726868

Previous product ID : WZ9990.3206F

---

#### [Adapter WFB 32-20 Weldon](#)

Product ID : 10305353

Previous product ID : WZ9990.3207F

---

---

[Adapter WFB 32-20 with collet mounting](#)

Product ID : 10298507  
Previous product ID : WZ9990.3208F

---

[adapter WFB 32-20 mill arbor mounting](#)

Product ID : 10640736  
Previous product ID : WZ9990.3209F

---

[WFB hydr. expansion mounting](#)

Product ID : 10946690  
Previous product ID : WZ9990.3210F

---

[Grub screw M10x1x11](#)

Product ID : 10165359  
Previous product ID : 326057

---