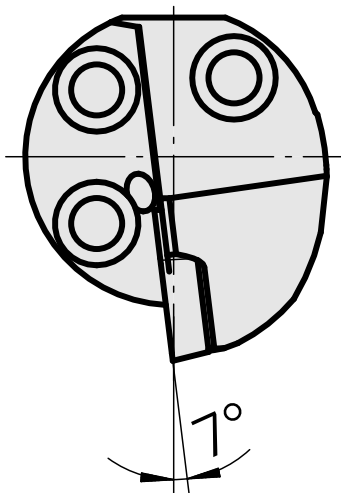
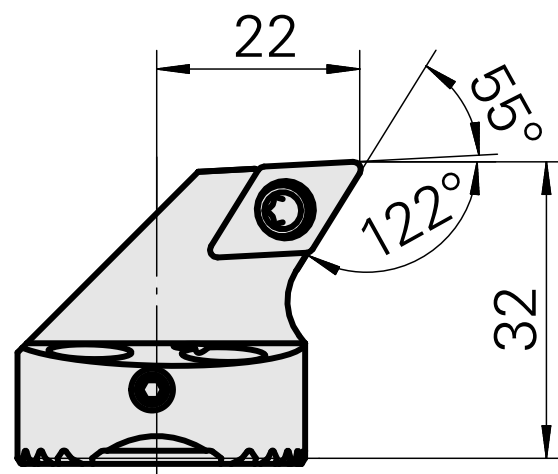
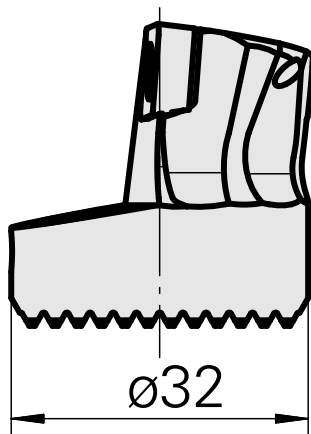
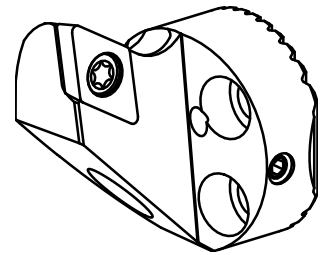


Boring head for DC.. 11T3..

Technical data

Mounting	for DC.. 11T3..
Cooling	internal
Pressure	50 bar
X [mm]	32 (1.26")
Z [mm]	22 (0.87)
INDEX TRAUB products	G220.3 • R200 • TNX65/42 • TNX220.3



Documents

No downloads available for this product

Accessories

Optional accessories

Other accessories

[Countersunk screw Wohlhaupter Nr. 115673](#)

Product ID : 10587078

Previous product ID : W00013.0026
