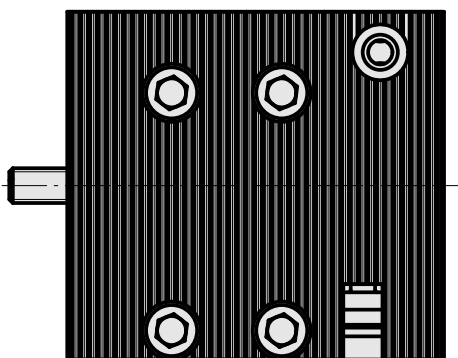
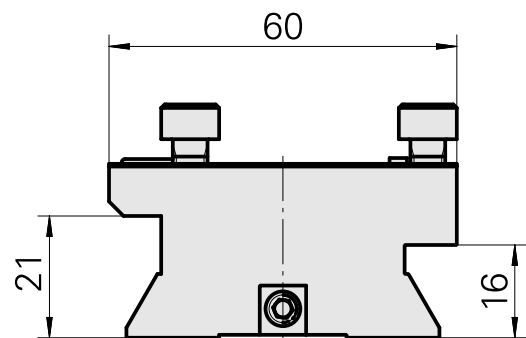
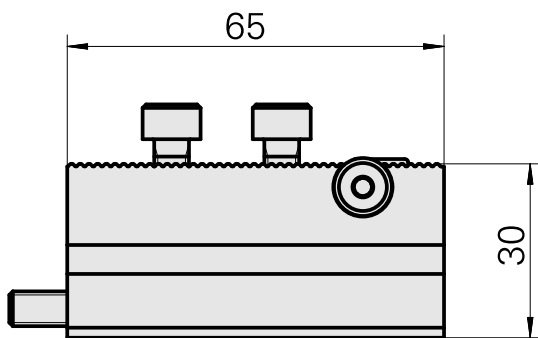
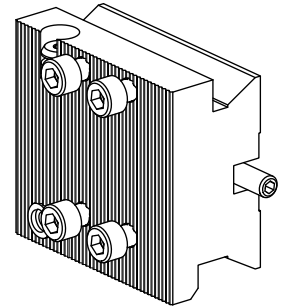


## Basic holder Dovetail (ABC)

### Technical data

Shank VDI	Dovetail (ABC)
Drive	not live
Fixation VDI	none
Pressure	80 bar
X [mm]	30 (1.18")
Y [mm]	-
Z [mm]	32.5 (1.28)
INDEX TRAUB products	ABC • ABC.2



## Documents

No downloads available for this product

## Accessories

### Optional accessories

#### Tool holders with VDI shank

#### [Grooving tool holding block Trapezoid 26, vertically adjustable](#)

Product ID : 10804363

Previous product ID : W9990152

Drive not live	Cooling external	Pressure 20 bar	Mounting Trapezoid 26x4
X [mm] 63 (2.48")	Y [mm] ±1.5 (±0.06)	Z [mm] 58 (2.28)	INDEX TRAUB products C42/65 • G160 • ABC • C100 • C200 • G200 • G200.2 • G220 • ABC.2

#### [Grooving tool holding block Trapezoid 26, vertically adjustable](#)

Product ID : 10668867

Previous product ID : W9990150

Drive not live	Cooling external	Pressure 20 bar	Mounting Trapezoid 26x4
reversible 180° no	X [mm] 63 (2.48")	Y [mm] ±1.5 (±0.06)	Z [mm] 58 (2.28)
INDEX TRAUB products C42/65 • G160 • ABC • C100 • C200 • G200 • G200.2 • G220 • ABC.2			

#### [Grooving tool holding block Löcher System](#)

Product ID : 12035585

Previous product ID :

Drive not live	Cooling external	Mounting Löcher System	INDEX TRAUB products C100 • C200 • G200 • G200.2 • G220 • R200
-------------------	---------------------	---------------------------	--

Grooving tool holding block Trapezoid 26, vertically adjustable

Product ID : 11094517

Previous product ID : W9991275

Drive not live	Cooling external and internal	Pressure 80 bar	Mounting Trapezoid 26x4
reversible 180° no	X [mm] 63 (2.48")	Y [mm] ±1.5 (±0.06)	Z [mm] 58 (2.28)
INDEX TRAUB products C42/65 • G160 • ABC • ABC.2 • C100 • C200 • G200 • G200.2 • G220			

Grooving tool holding block Trapezoid 26, vertically adjustable

Product ID : 10349388

Previous product ID : W9990857

Drive not live	Cooling external and internal	Pressure 80 bar	Mounting Trapezoid 26x4
reversible 180° no	X [mm] 63 (2.48")	Y [mm] ±1.5 (±0.06)	Z [mm] 58 (2.28)
INDEX TRAUB products G160 • C100 • C200 • G200 • G200.2 • G220			

Grooving tool holding block Trapezoid 26, vertically adjustable

Product ID : 11094518

Previous product ID : W9991276

Drive not live	Cooling external and internal	Pressure 80 bar	Mounting Trapezoid 26x4
reversible 180° no	X [mm] 63 (2.48")	Y [mm] ±1.5 (±0.06)	Z [mm] 58 (2.28)
INDEX TRAUB products C42/65 • C200 • G200 • G200.2 • G220			