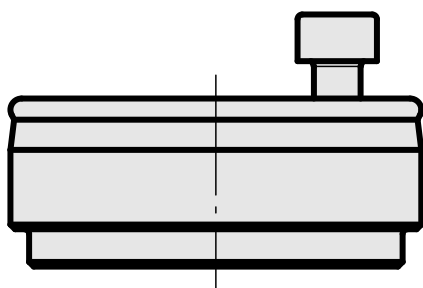
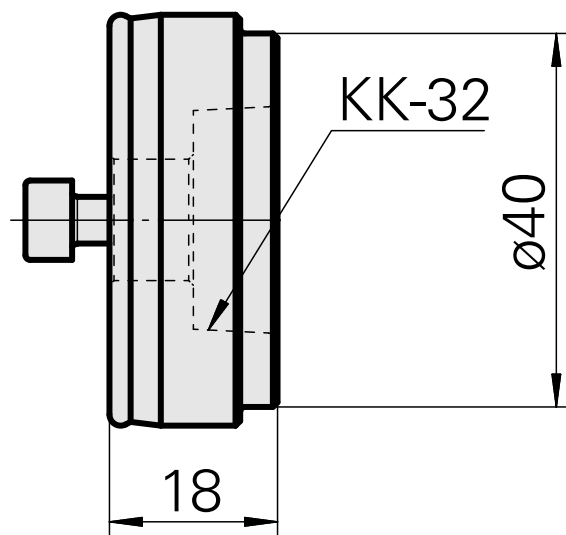
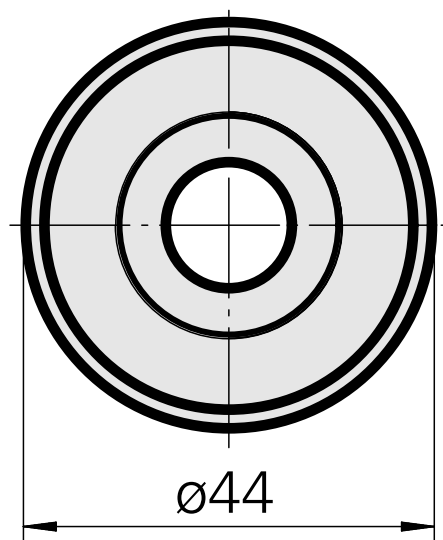
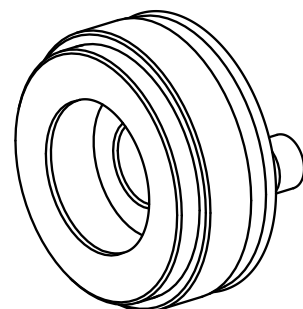


Base element, for presetting unit

Technical data

TH accessories category

Adapter pin KK-32



10490912
W9991052

INDEX

Documents

No downloads available for this product