

## WFB 32-20 D10

### Technical data

TH accessories category

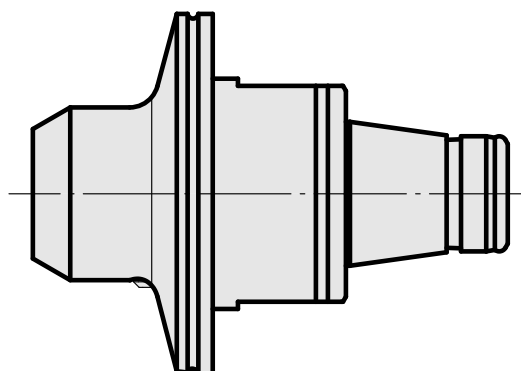
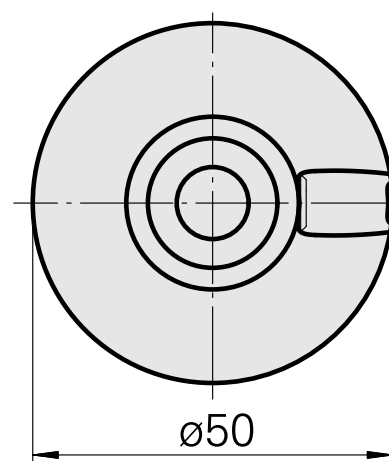
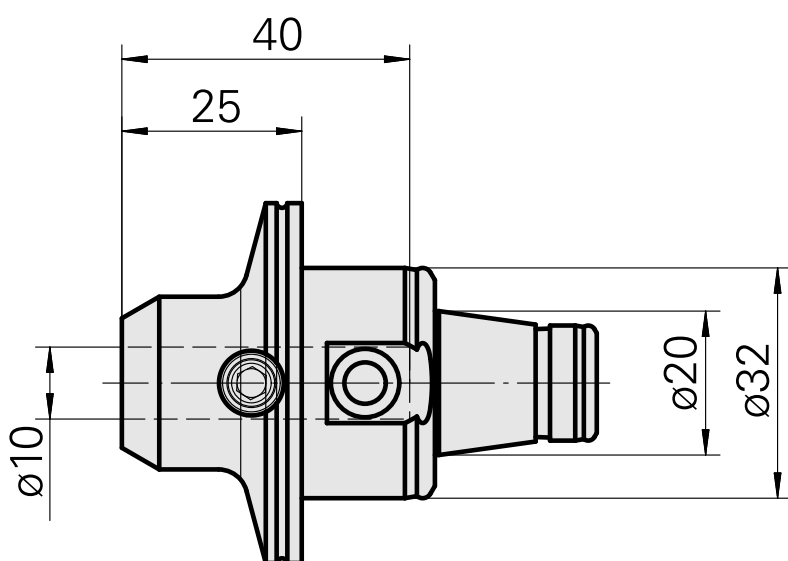
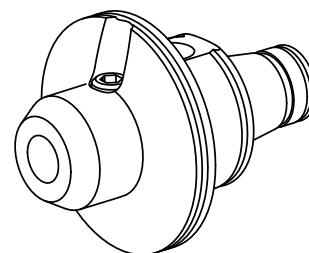
WFB 32-20

Mounting

D10

Quick change inserts

Weldon mounting



10452865  
836272

**INDEX**

---

## **Documents**

No downloads available for this product