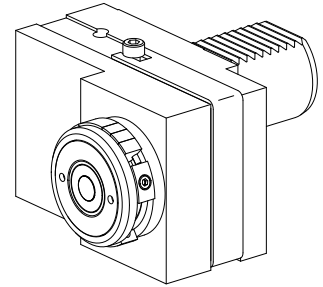


Embossing roll holder VDI 40

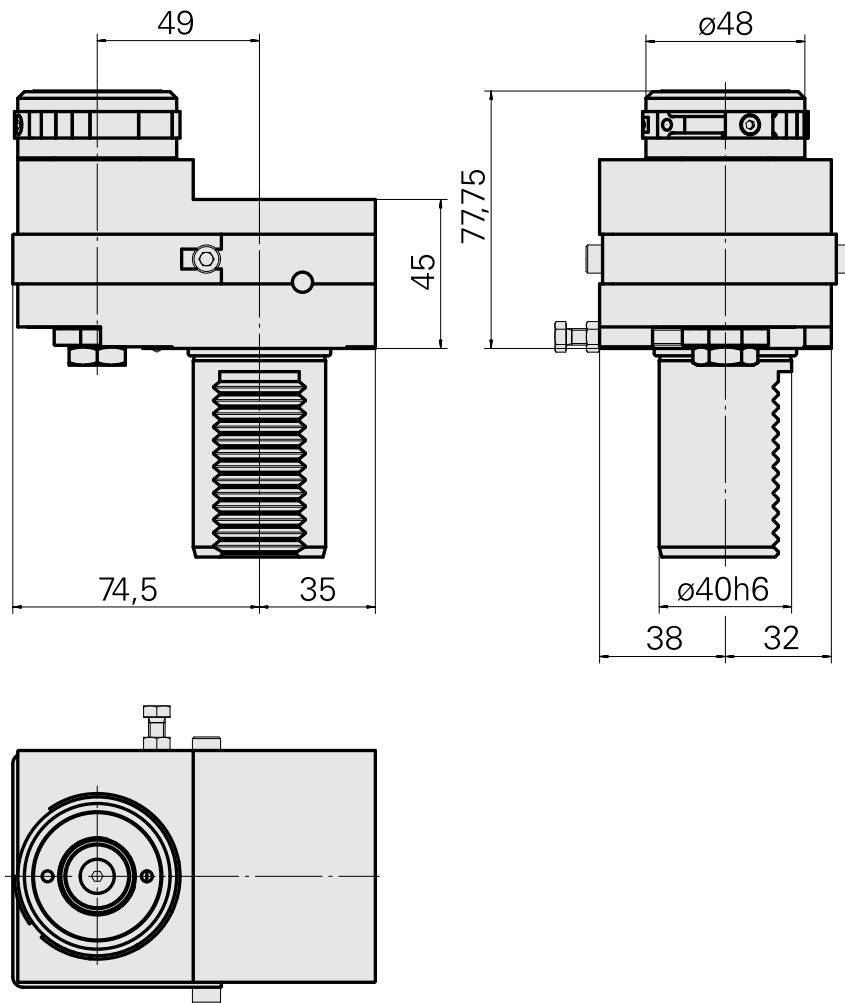
Technical data

| | |
|----------------------|---|
| Shank VDI | VDI 40 |
| Drive | not live |
| Fixation VDI | none |
| reversable 180° | no |
| X [mm] | 75 (2.95") |
| Y [mm] | – |
| Z [mm] | 67.5 (2.66) |
| INDEX TRAUB products | G300 • G400 • V200 • G250 • V160C • V160G • V300 • TNA400 • B400 • B500 • TNA500.2 • TNA400.2 • TNA400.3 • B400.3 • B500.3 • TNA500.3 |



Note

Cooling lubricant supply unit required!



Documents

No downloads available for this product

Accessories

Optional accessories

Tool holder accessories

[Embossing roller, D50 mm \(1.96"\)](#)

Product ID : 10609077

Previous product ID : W63380.0030

TH accessories
category
Embossing roller

[Embossing roller, D60 mm \(2.36"\)](#)

Product ID : 10446615

Previous product ID : W63380.0060

TH accessories
category
Embossing roller