

Adapter mounting aid Compact shank 45

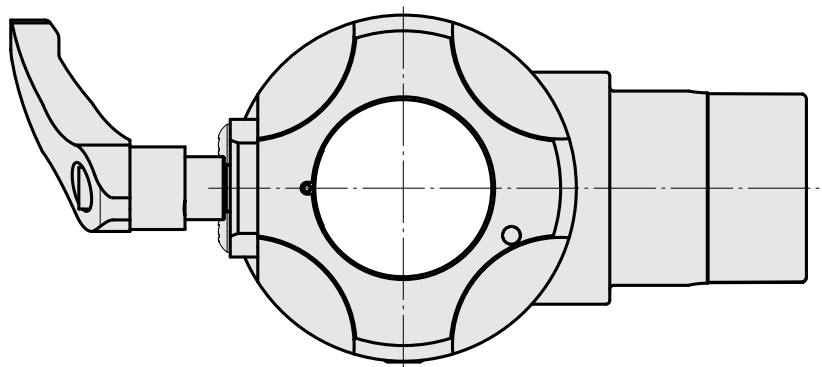
Technical data

TH accessories category

Adapter mounting aid

Tool mounting

Compact shank 45



Documents

No downloads available for this product