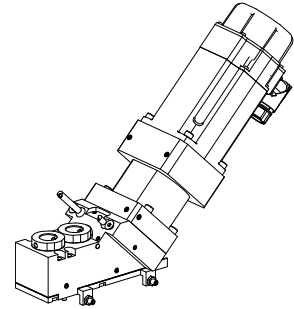


## Back end unit MS16/MS22 2:1 WFB 20-12

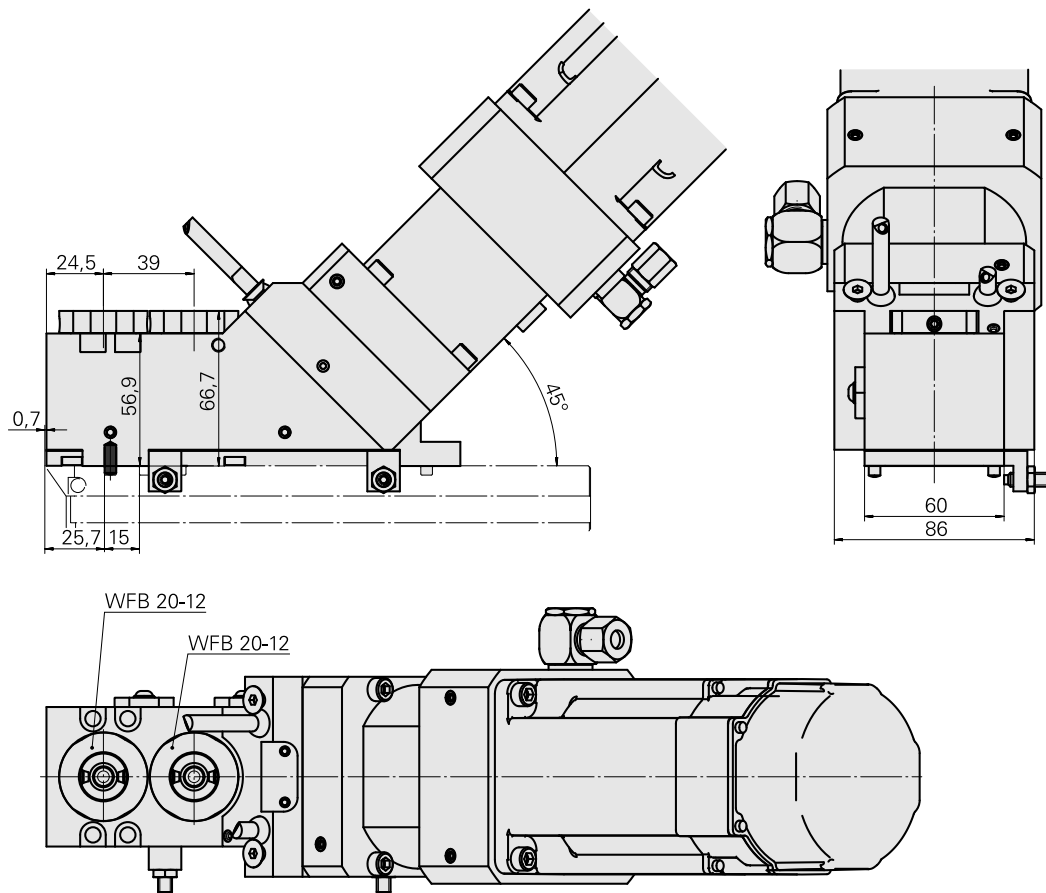
### Technical data

Slide system MS	MS16/MS22
Drive	Direct drive
Fixation MS	Splined key/pin
Speed ratio	2:1
Cooling	external
Pressure	30 bar
Mounting	WFB 20-12
X [mm]	–
Y [mm]	–
Z [mm]	–
INDEX TRAUB products	MS22-8



### Note

Can be used only in positions X.3! The unit must be connected to a central lubrication system! The unit may only be used in combination with any of the specified motors and the corresponding UNIT!  
Motor (AC), 3.53 Nm – 11093900 (Kollmorgen AKM42G-ANSNS-03) included.  
UNIT 250



## Documents

### Product notes

[PT \(pdf\)](#)

[DE \(pdf\)](#)

[EN \(pdf\)](#)

[FR \(pdf\)](#)

## Accessories

Required for operation

### [Assembly parts](#)

Product ID : 11170197

Previous product ID : W00031.0029

---

### [Cable kit, 5m](#)

Product ID : 10690364

Previous product ID : GM5142.0267

---

Optional accessories

### Other accessories

#### [Lubrication pipe L=20](#)

Product ID : 10510228

Previous product ID : M11451.40

---

#### [Lubrication pipe L=50](#)

Product ID : 10385251

Previous product ID : M11451.30

---

#### [Countersunk screw M 6x10/T30 verzinkt 402316 10](#)

Product ID : 10124078

Previous product ID : 410362.0610

---

---

[FITTING 8MM 8L G1/4Z-WD Schwenkverschrbg](#)

Product ID : 10097528  
Previous product ID : 470659.08

---

[FARREL](#)

Product ID : 10486928  
Previous product ID : 471081.08

---

[8MM NUT](#)

Product ID : 10589934  
Previous product ID : 471161.08

---

[Adapter WFB 20-12 shrinking](#)

Product ID : 10477939  
Previous product ID : 904006

---

[Adapter WFB 20-12 Weldon](#)

Product ID : 10221340  
Previous product ID : 904007

---

[Adapter WFB 20-12 with collet mounting](#)

Product ID : 10625654  
Previous product ID : 904008

---

[Adapter WFB 20-12 Hydr. expansion chuck](#)

Product ID : 10566889  
Previous product ID : 904010

---

[WFB for Turning tool holder](#)

Product ID : 10146029  
Previous product ID : 904011

---

10362096  
GM2101.7310

**INDEX**

---

TORX SCREW M6 X 7MM M 6x1x7

Product ID : 10004947

Previous product ID : 326171

---