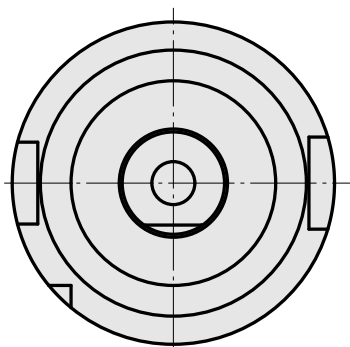
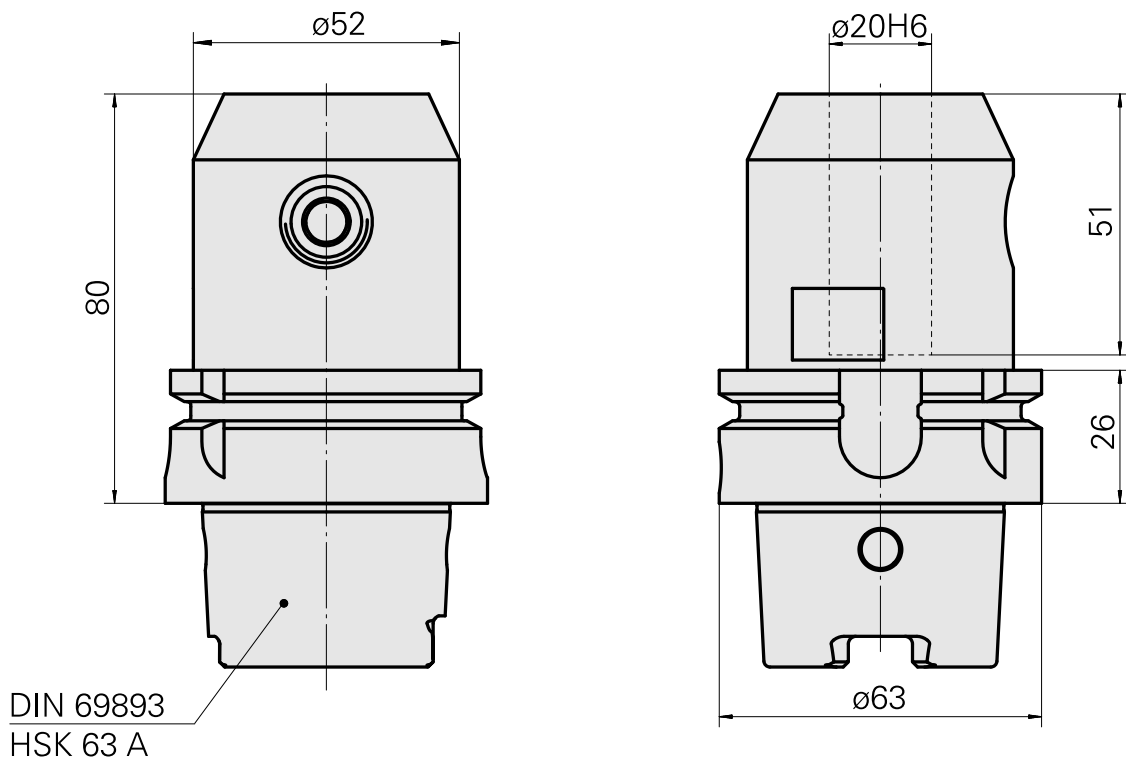
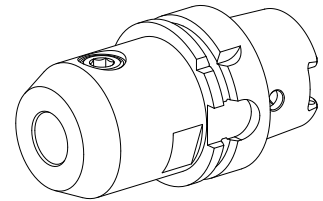


Drilling tool holder HSK 63 A D20 (0.79)

Technical data

Shank HSK	HSK 63
Form HSK	A
Mounting	D20
Cooling	internal
Pressure	80 bar
X [mm]	80 (3.15")
INDEX TRAUB products	R300 • G420 • G520 • G320.2 • G220.3 • TNX220.3 • G320.3 compact • G220 • G220.2



Documents

No downloads available for this product

Accessories

Required for operation

[Socket wrench](#)

Product ID : 10352082

Previous product ID : WS7800.0010

TH accessories
category
Tool for KSS adapter

Mounting
HSK 63 A/C

Optional accessories

Tool holder accessories

[Coolant adapter kit HSK-A63](#)

Product ID : 11074450

Previous product ID : WS7800.0020

TH accessories
category
Cooling lubricant
transfer set

Mounting
HSK 63 A/C

[Coolant adapter kit HSK63, max. 120 bar](#)

Product ID : 12024087

Previous product ID :

TH accessories
category
Cooling lubricant
transfer set

Mounting
HSK 63 A/C

Other accessories

[Mounting sleeve with collar D20](#)

Product ID : 10063939

Previous product ID : W68510.04--

10336873
W2500054

INDEX

Grub screw Wohlhaupter-Nr. 115685, 2 Stck

Product ID : 10185229

Previous product ID : 000001.1380C

Ball-Ended Thrust Screws

Product ID : 10767027

Previous product ID : W00013.0045
