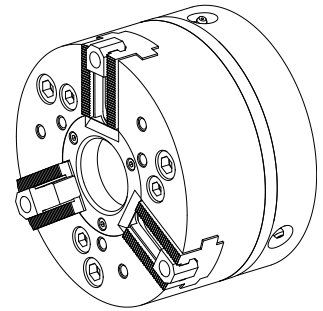


## 3-jaw chuck

### Technical data

<b>INDEX TRAUB products</b>	G200
<b>Spindle clearance</b>	46mm
<b>Machining side</b>	Main spindle • Counter spindle
<b>manufacturer product line</b>	HFK-N 165-46
<b>Spindle mounting</b>	AP140
<b>manufacturer product line</b>	SMW



No 3-side view is currently available for this product

---

## Documents

No downloads available for this product

## Accessories

### Optional accessories

#### O-Rings

##### [Gasket ring](#)

Product ID : 10598377

Previous product ID : 479103.0642

manufacturer product line Trelleborg	TSS material no.	Cord size 2.62 Millimeter	manufacturer product line O-ring
---	------------------	------------------------------	-------------------------------------

#### Other accessories

##### [Adaptor](#)

Product ID : 10823860

Previous product ID : 908128.8031

---

##### [O-RING 71.12X 2.62](#)

Product ID : 10954290

Previous product ID : 479103.0712

---