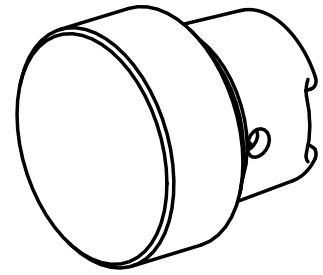


Blanking plug HSK 25 C

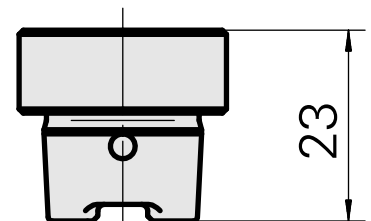
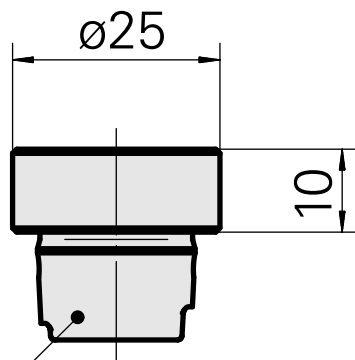
Technical data

Shank HSK	HSK 25
Form HSK	C
X [mm]	10 (0.39")
INDEX TRAUB products	MS22-6 • MS22-8 • MS16-6

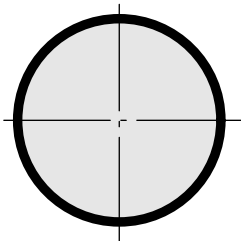


Note

No rotation permitted!



DIN 69893
HSK 25 C



Documents

No downloads available for this product